

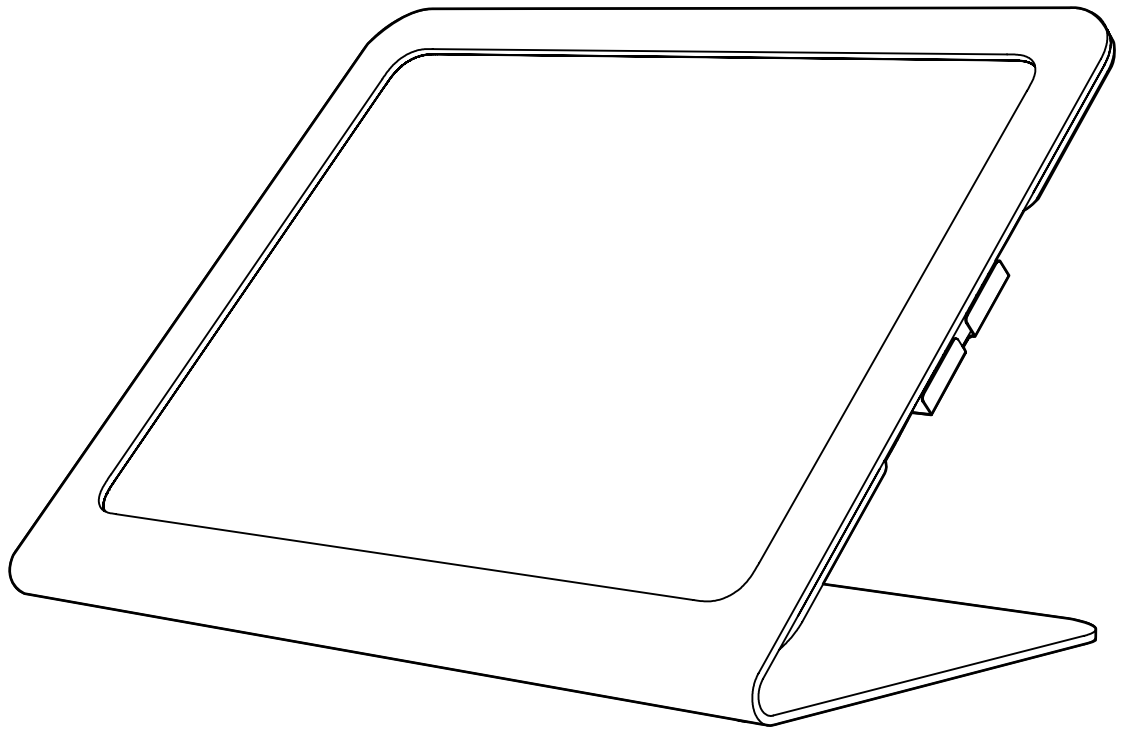
WindFall®

STAND



Secure Stand for iPad Air 13-inch & iPad Pro 12.9-inch (3rd 4th 5th and 6th Generation)

Assembly & Installation



Compatible with:

iPad Air 13-inch
iPad Pro 12.9-inch (3rd 4th 5th
and 6th Generation)

Limited Warranty

Heckler Design warrants your product to be free from defect in material and workmanship for a period of two years from the original date of purchase. Electronic components are warranted to be free from defect for a period of one year from the original date of purchase. If you discover a defect, please contact service@hecklerdesign.com. Heckler Design will repair, at our discretion, using new or refurbished components. If repair is not possible, Heckler Design will replace the item.

1x



F529

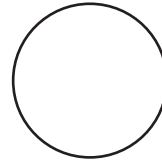


Assembly Tool

4x



F581

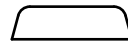


Felt Feet

4x



S130



Friction Feet

1x



F646



Security Assembly Tool



Keep your special assembly tool in a safe place. To purchase a replacement, please contact service@hecklerdesign.com.

6x

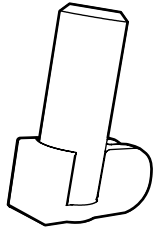


F645

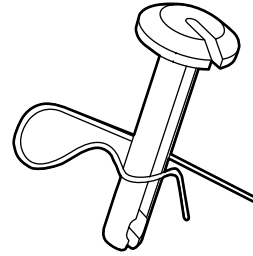


Security Screws

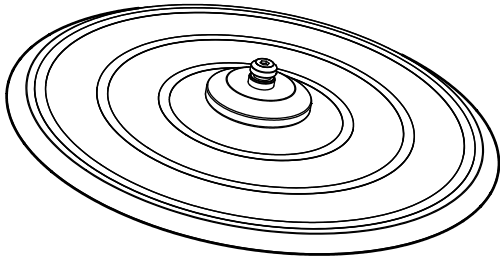
Optional:
Kensington NanoSaver
Keyed Laptop Lock
(sold seperately)



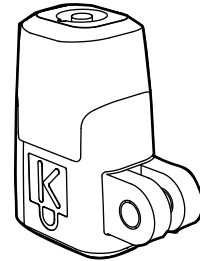
Optional:
PivotTack (sold seperately)



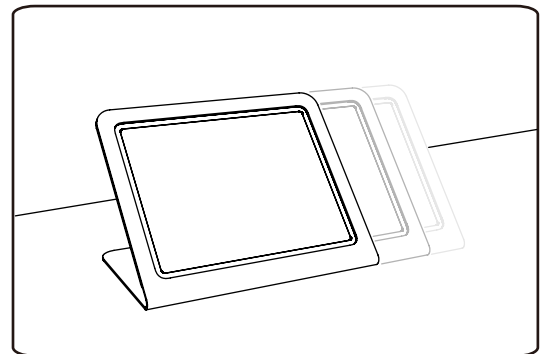
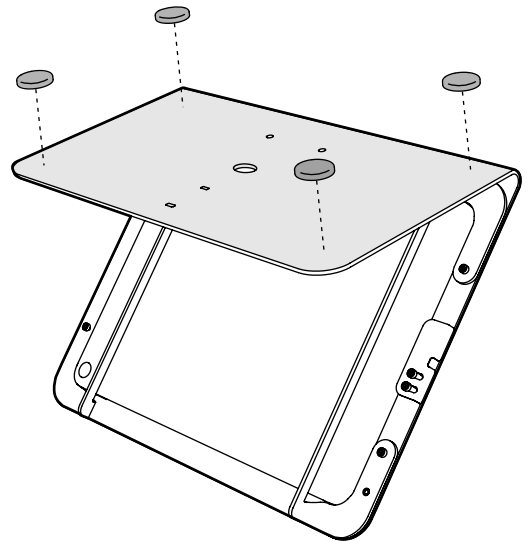
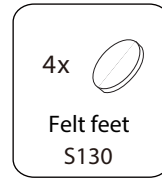
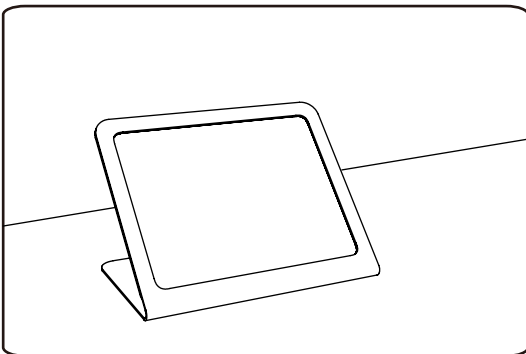
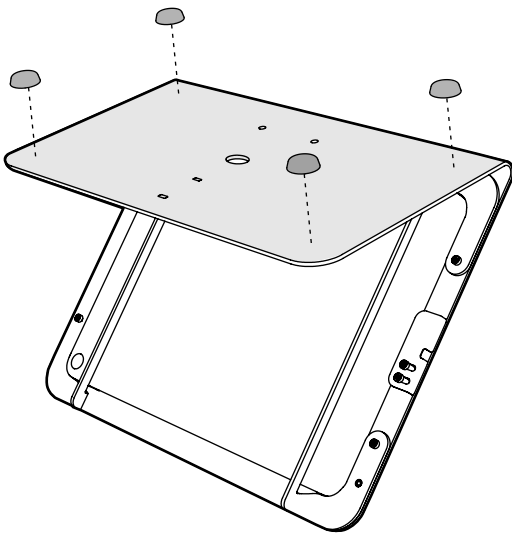
Optional:
PivotTable (sold seperately)



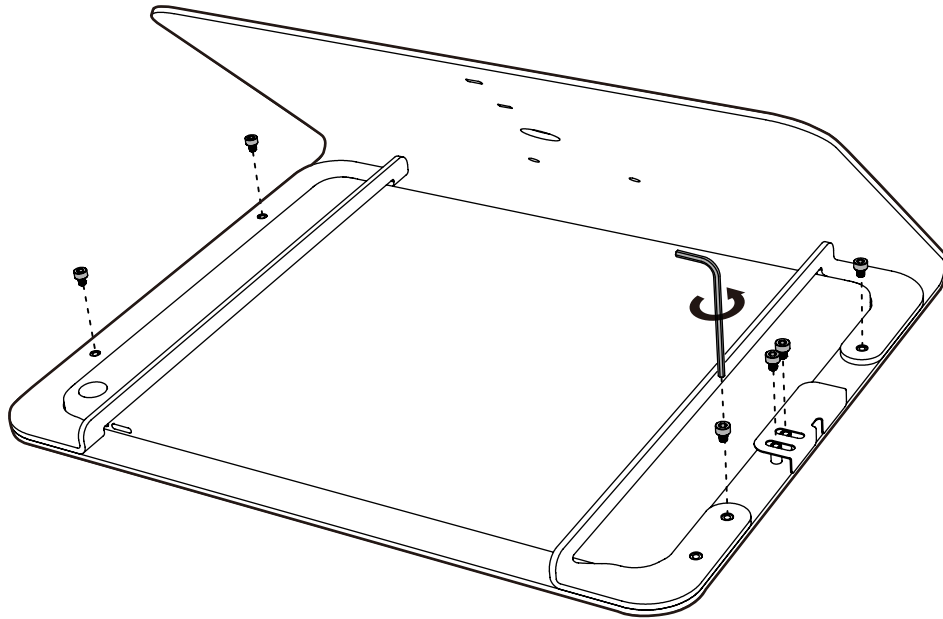
Optional:
Kensington ClickSafe Cable Lock
(sold seperately)



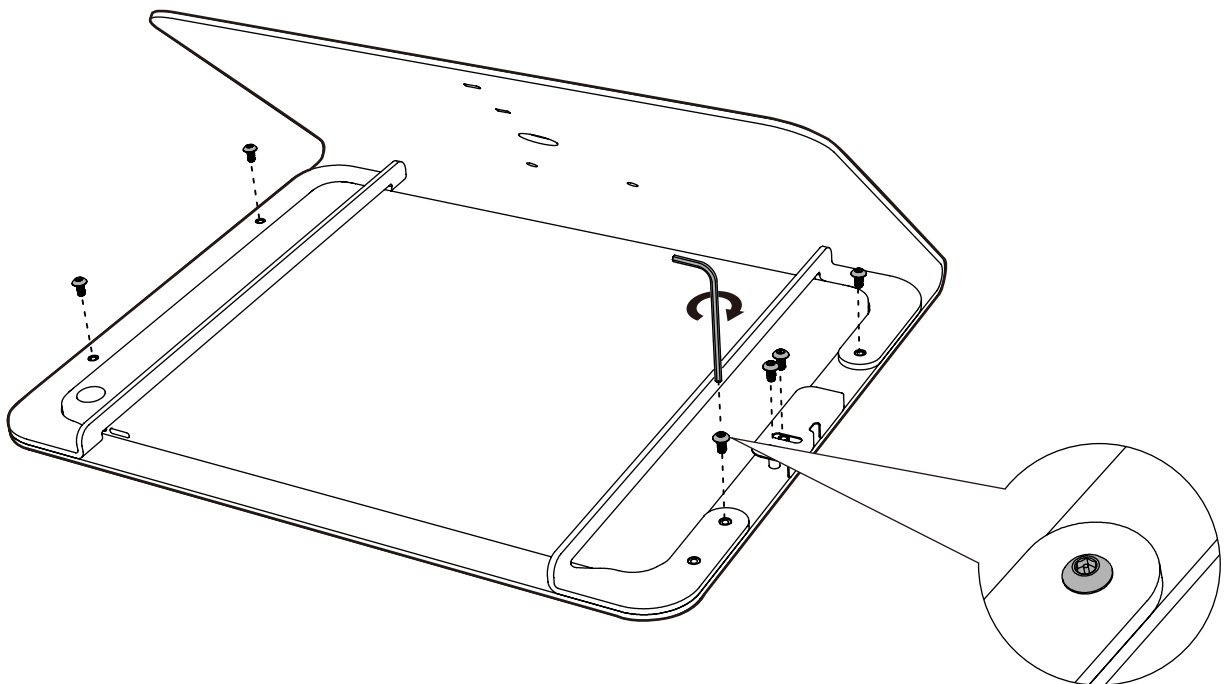
1 Select then install feet



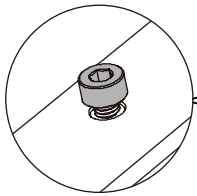
Option: Remove original screws



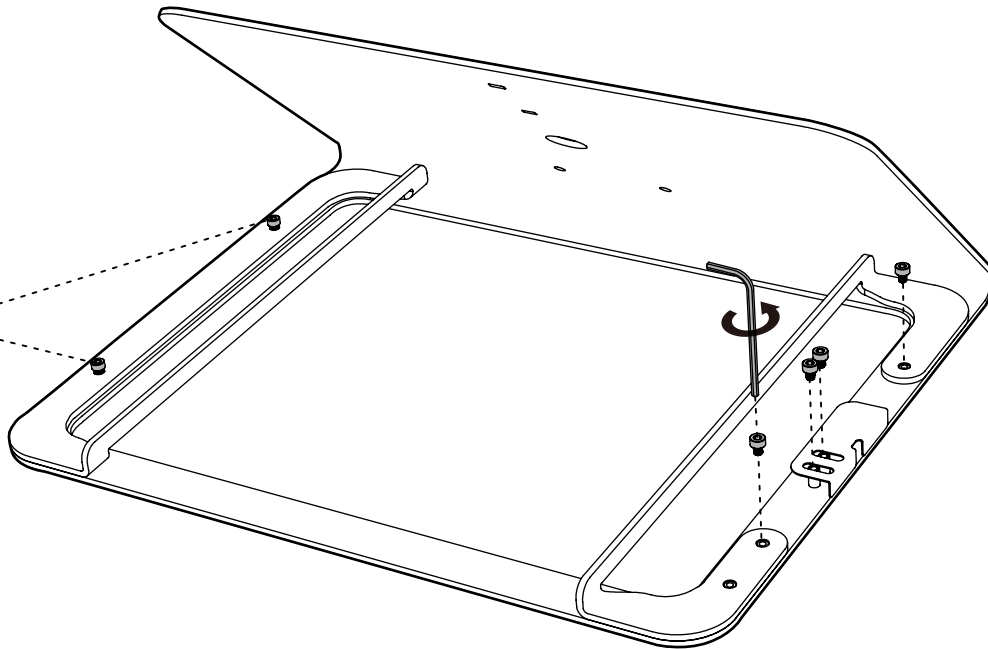
Install security screws



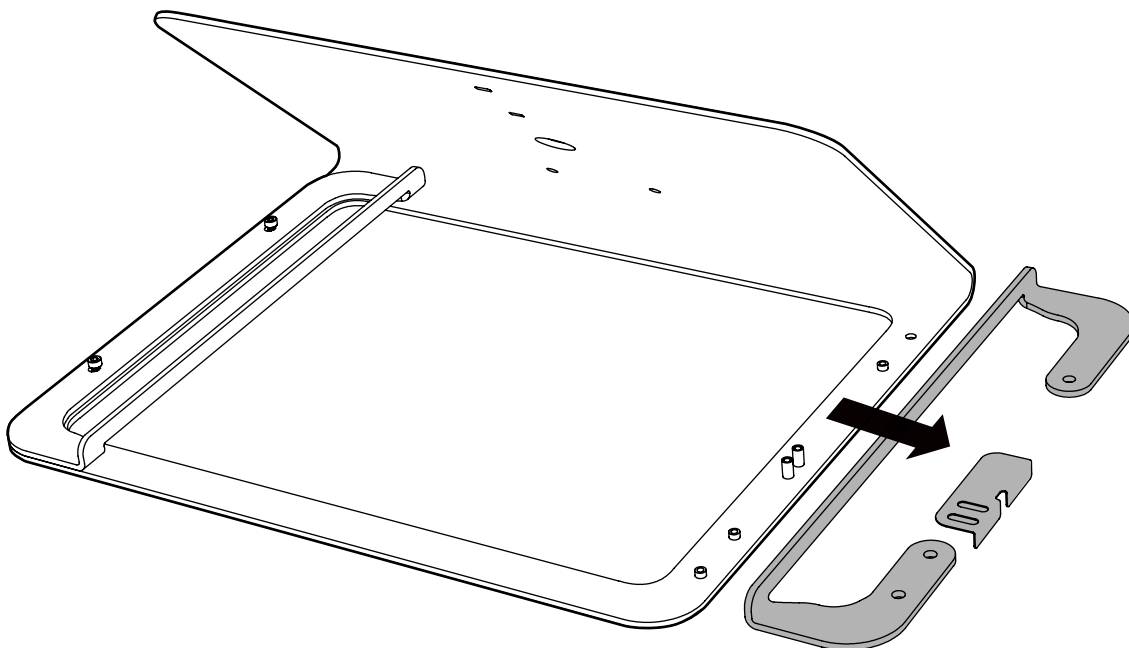
2 Loosen and remove screws



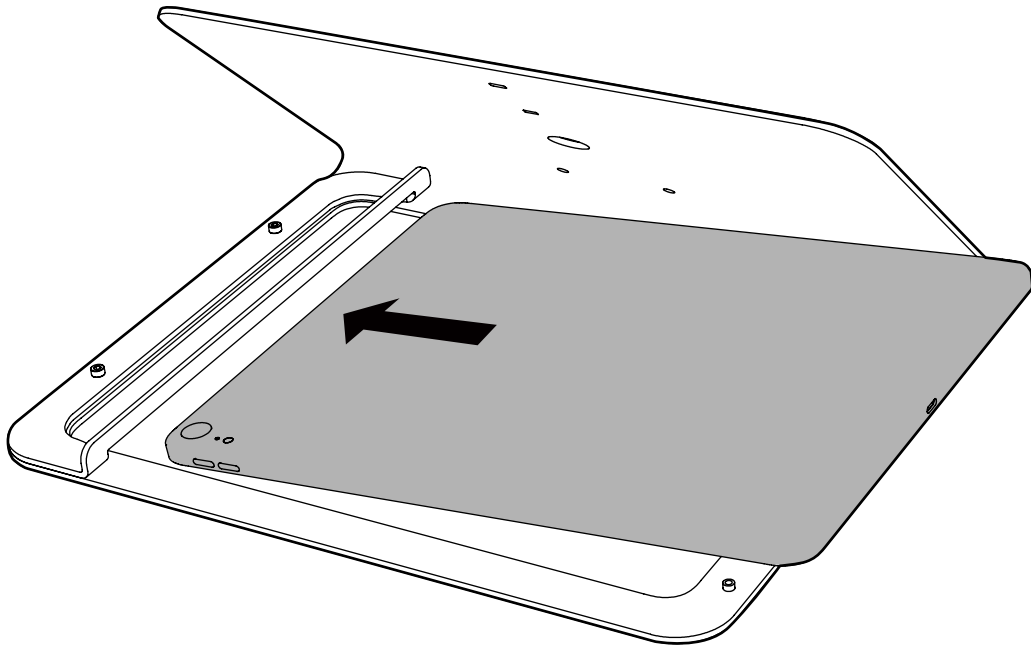
i Loosen, but do not remove.



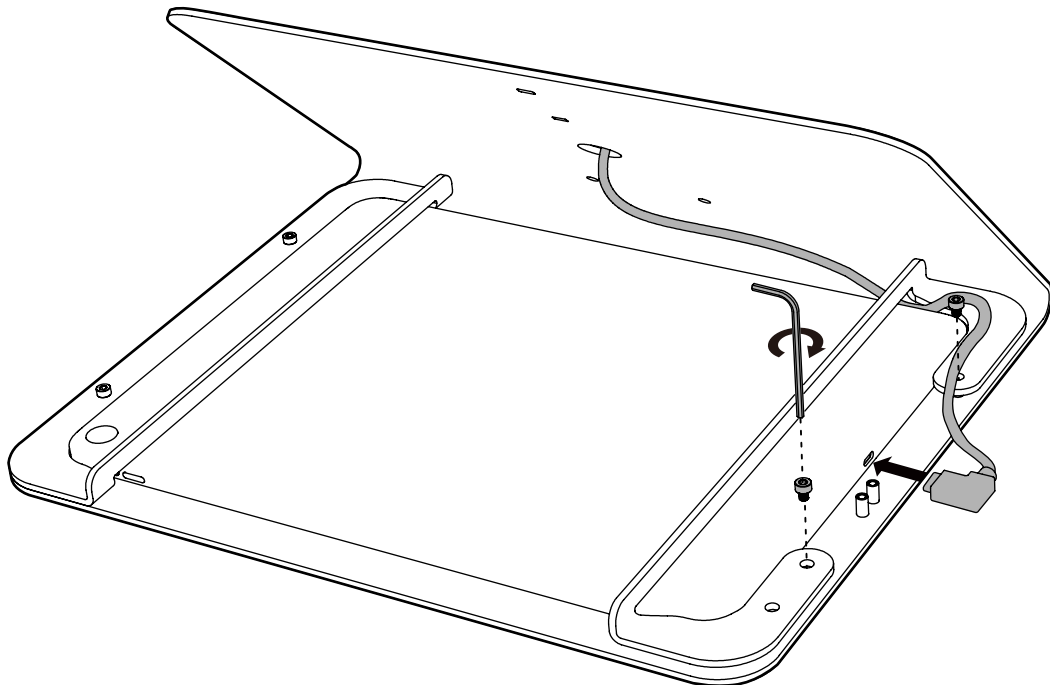
3 Remove right-hand tablet bracket and cord securer



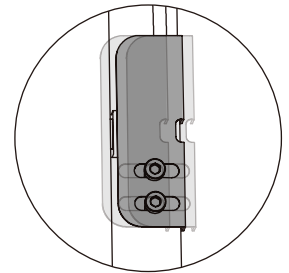
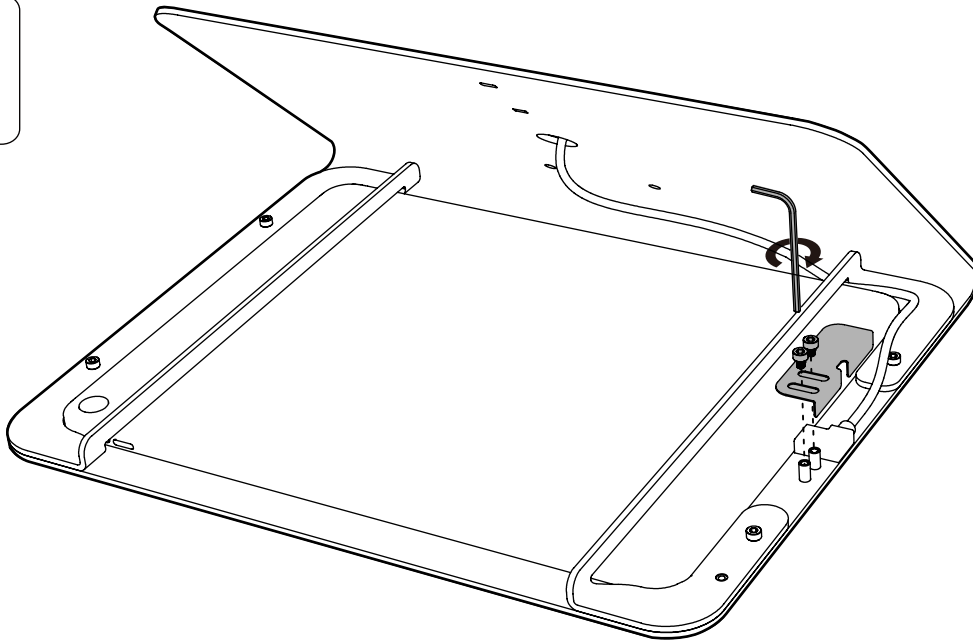
4 Install the iPad Pro




5 Route your USB-C cable and reinstall right-hand tablet bracket

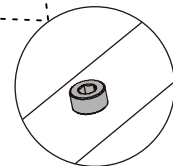
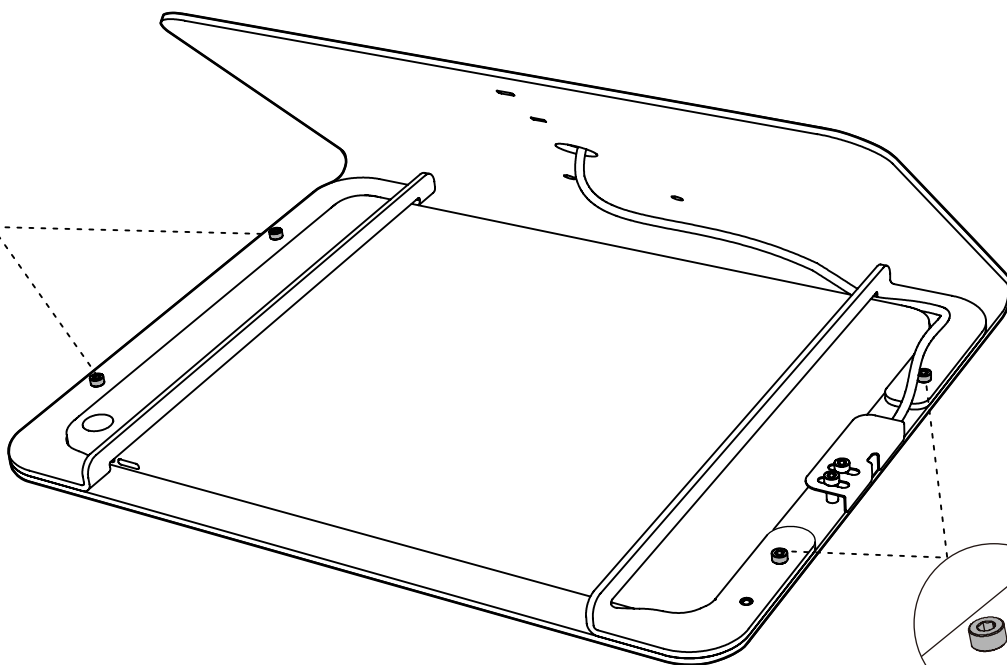
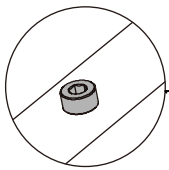


5 Fasten cord securer

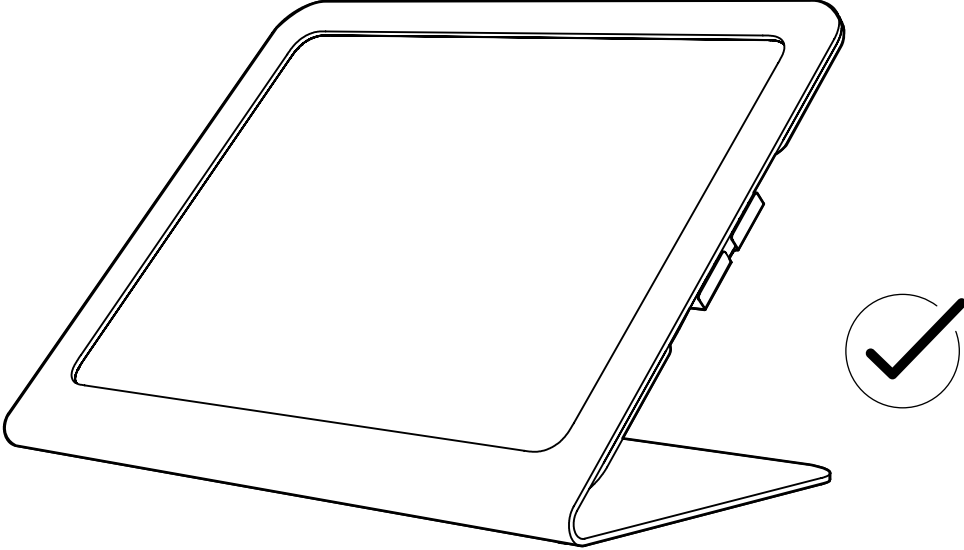


 Adjust cord securer snug to your cable

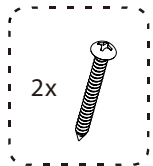
6 Tighten all screws



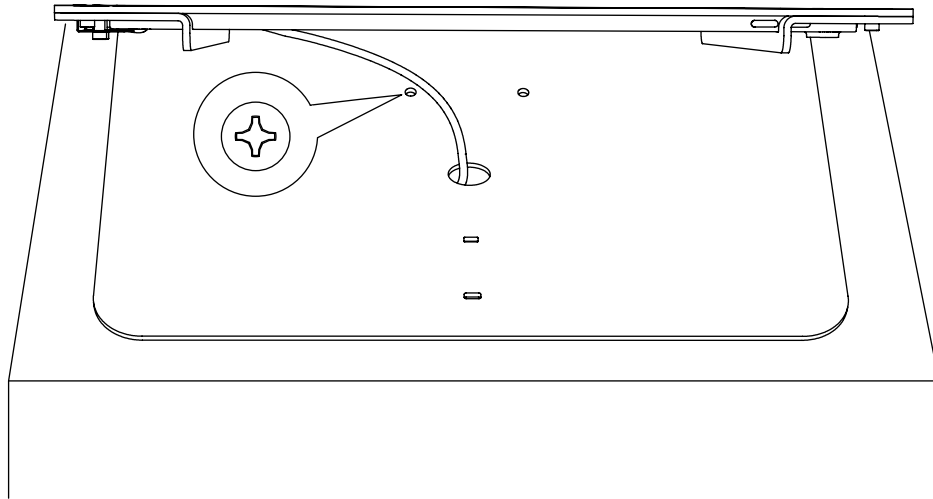
7 Done



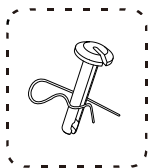
Counter Mounting



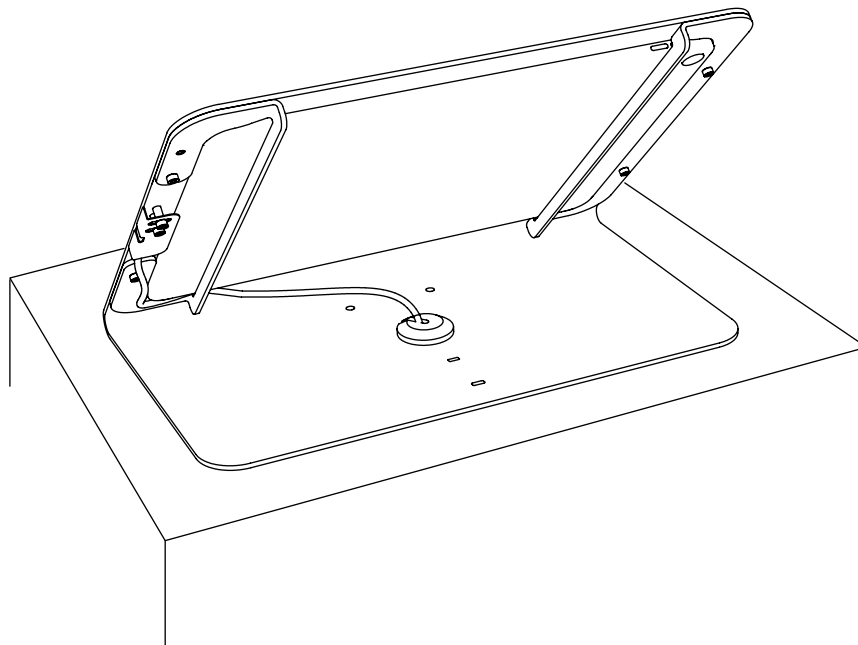
(Sold Separately)



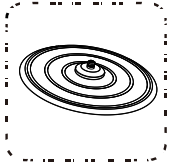
PivotTack



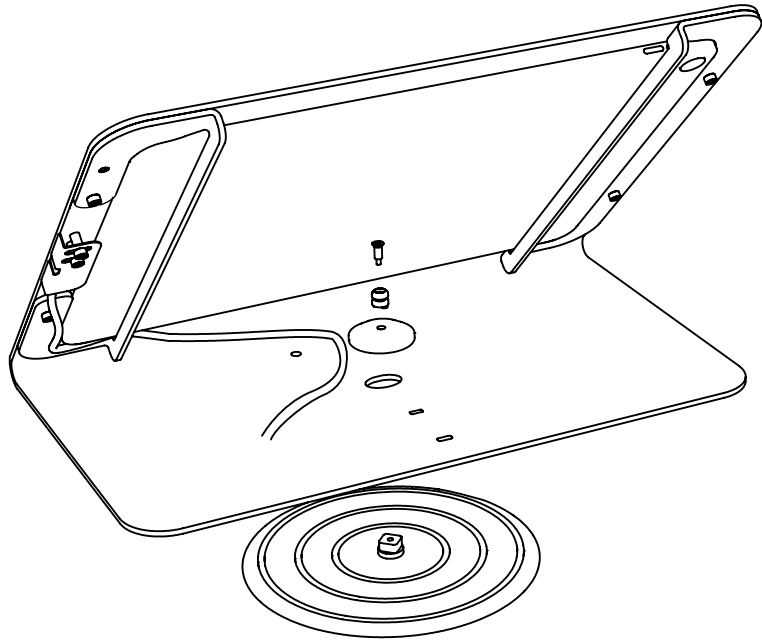
(Sold Separately)



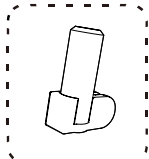
PivotTable



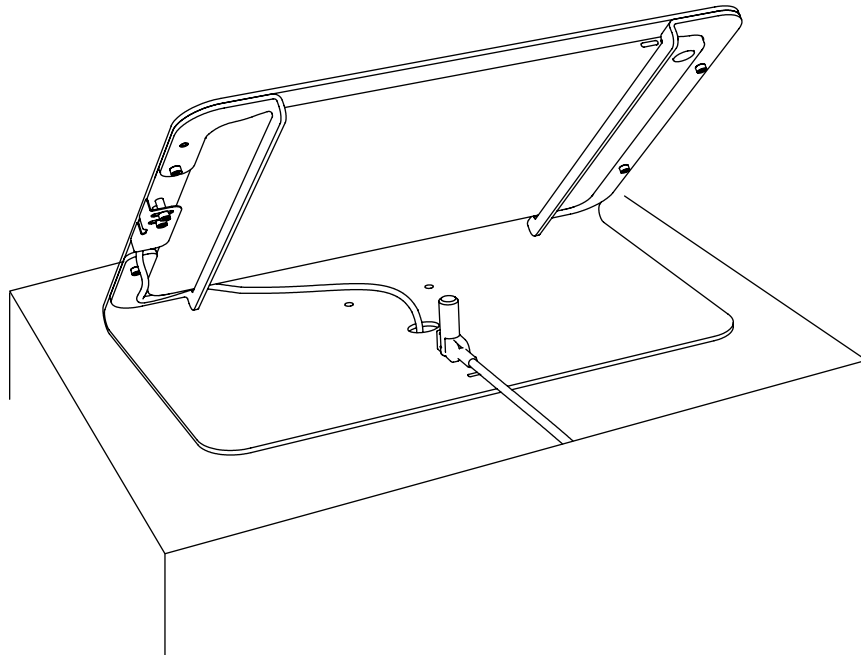
(Sold Separately)



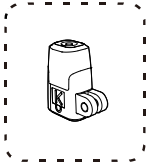
Kensington Nano ClickSafe Cable Lock



(Sold Separately)



Kensington ClickSafe Cable Lock



(Sold Separately)

