

WindFall®

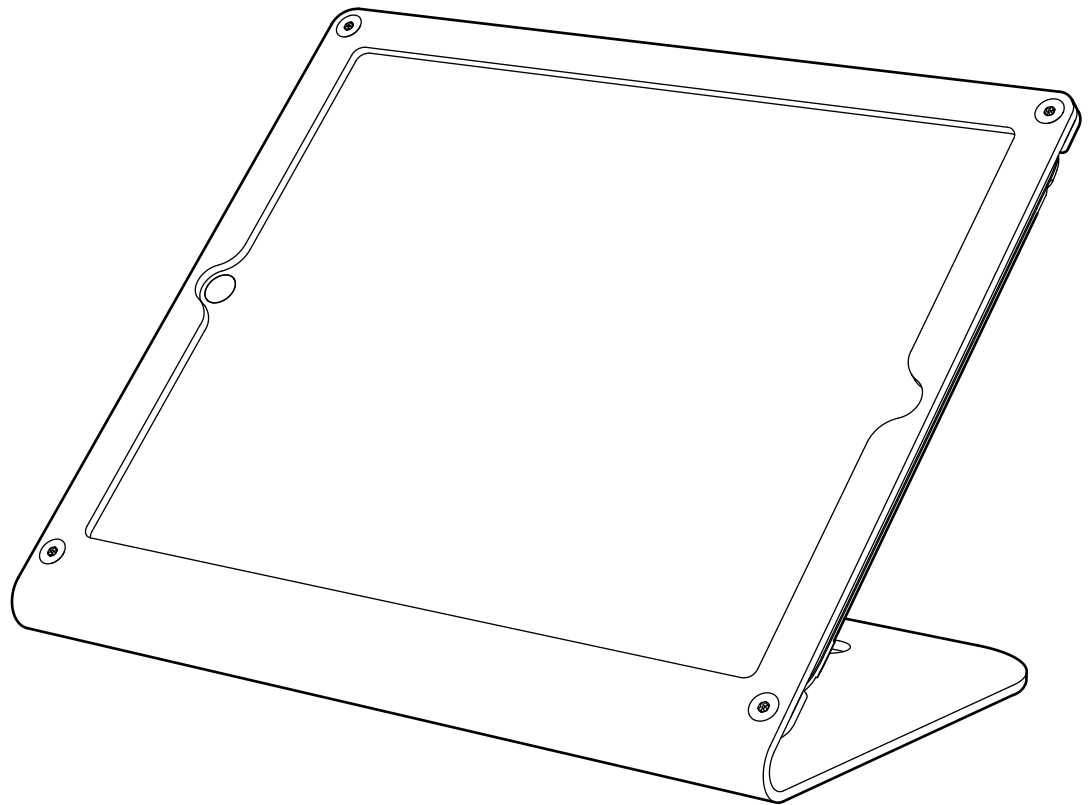
PRIME



STAND

Secure stand for iPad 10.2-inch 7th Generation

Assembly & Installation



Compatible with:

iPad 10.2-inch 7th Generation

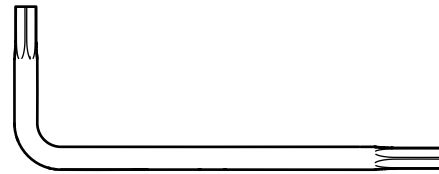
Limited Warranty

Heckler Design warrants your product to be free from defect in material and workmanship for a period of two years from the original date of purchase. Electronic components are warranted to be free from defect for a period of one year from the original date of purchase. If you discover a defect, please contact service@hecklerdesign.com. Heckler Design will repair, at our discretion, using new or refurbished components. If repair is not possible, Heckler Design will replace the item.

1x



F160



Torx assembly tool

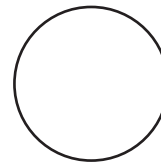


Keep your special assembly tool in a safe place.
To purchase a replacement, please contact
service@hecklerdesign.com.

4x



F581

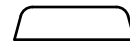


Felt Feet

4x

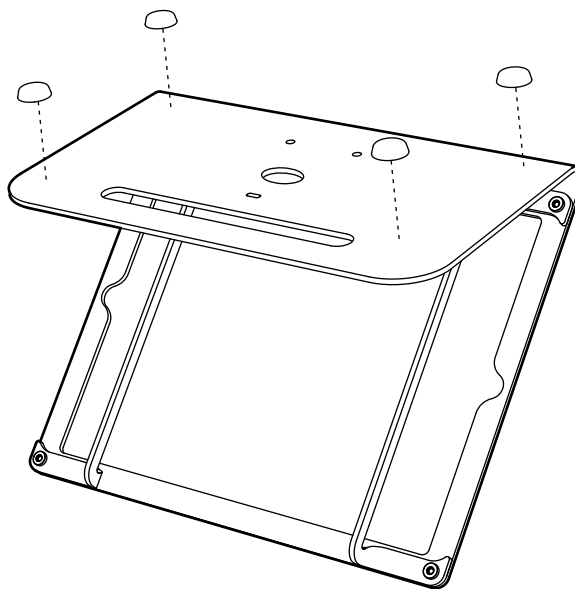
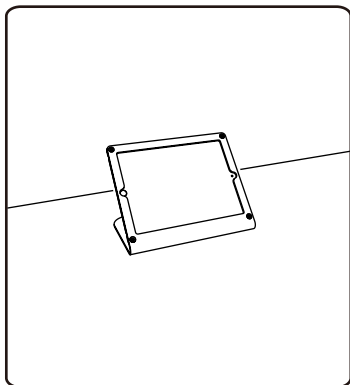


S130

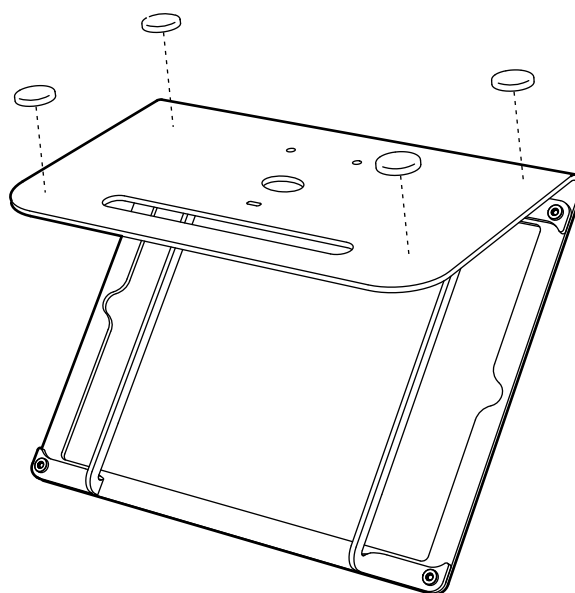
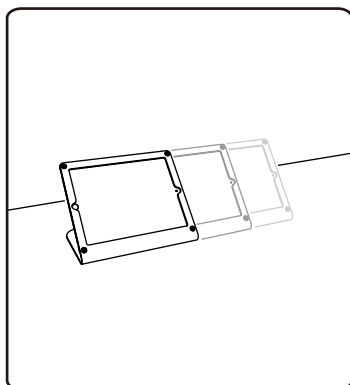
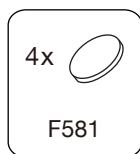


Friction Feet

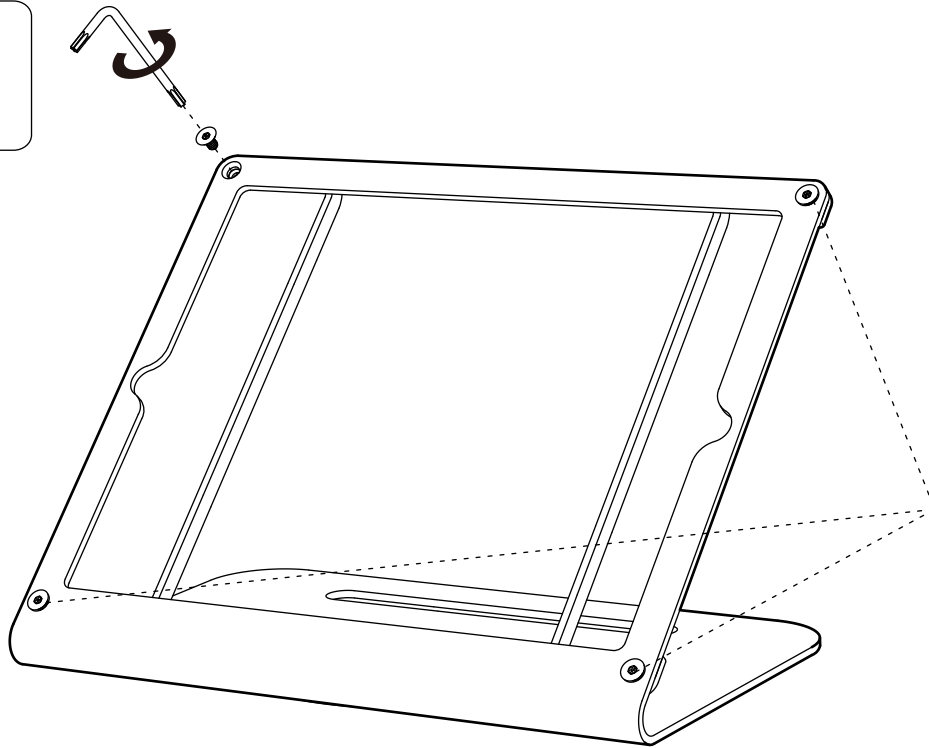
1A Install friction feet



1B Install sliding feet

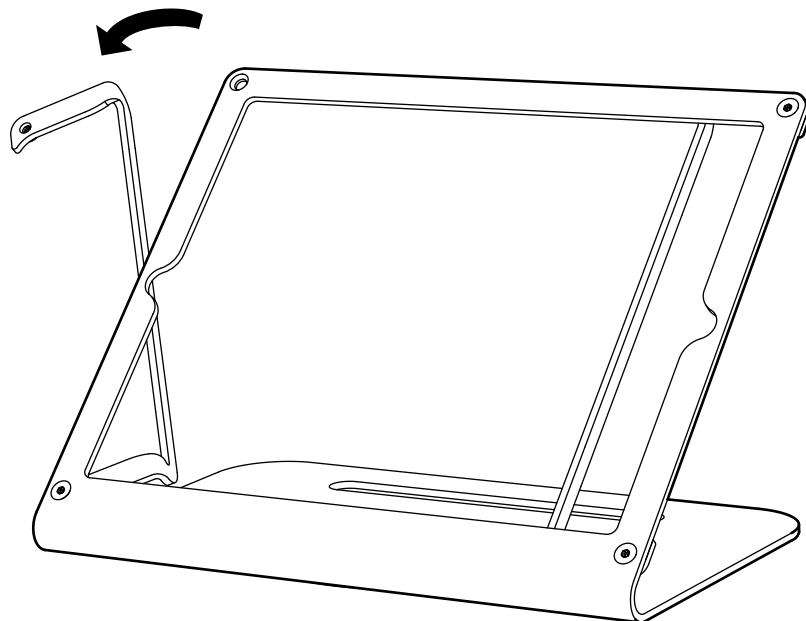


2 Loosen screws

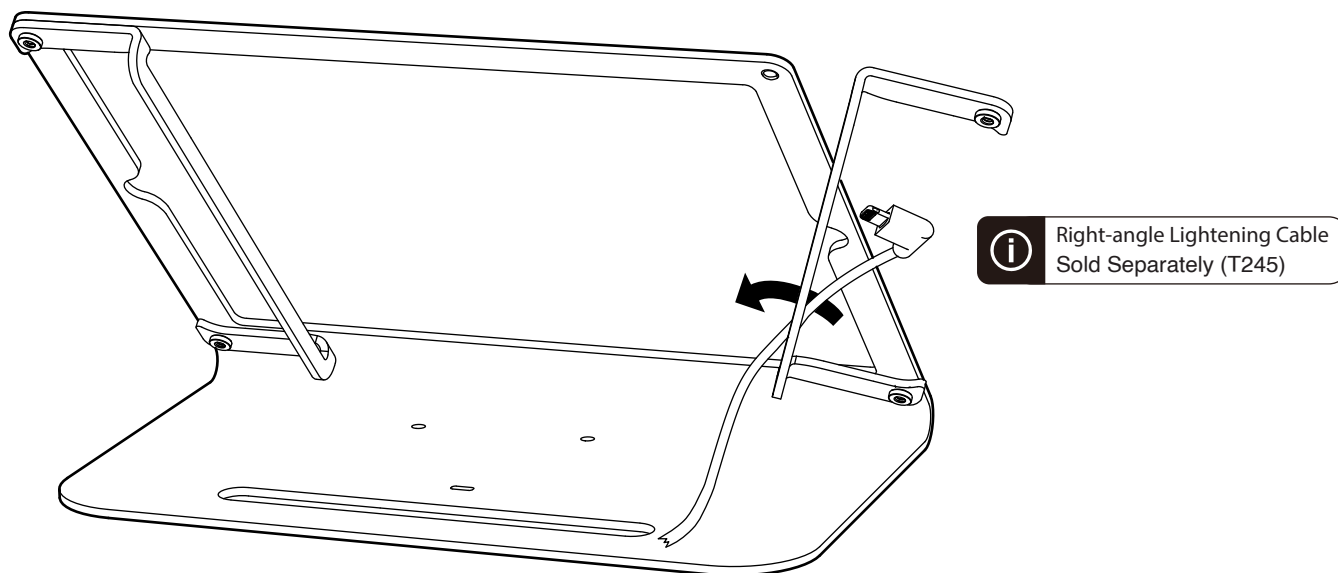


i Loosen, but do not remove.

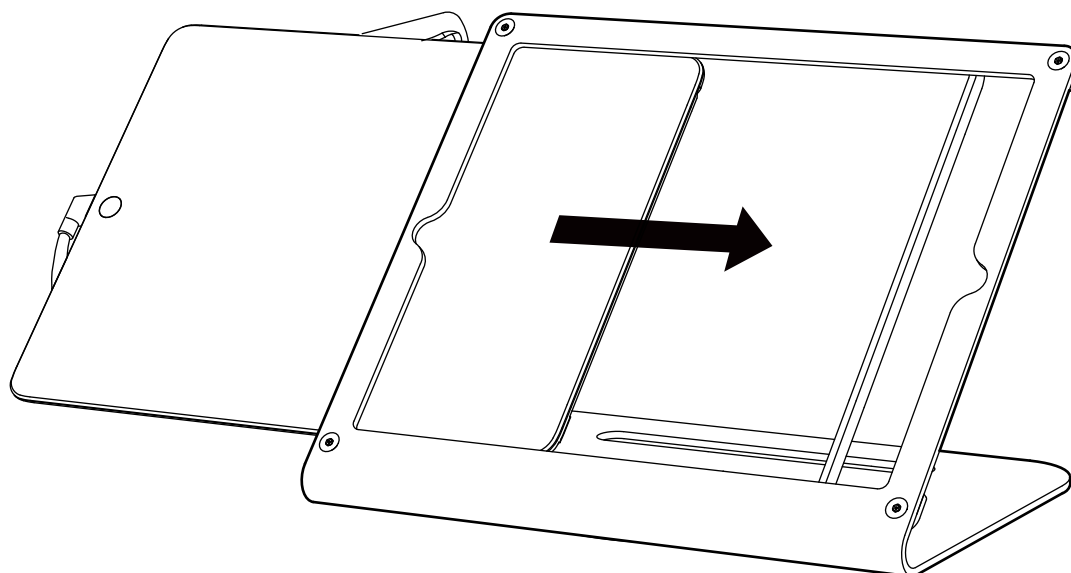
3 Swing bracket out



4 Route Lightning cable



5 Slide in the iPad



6 Tighten screws

