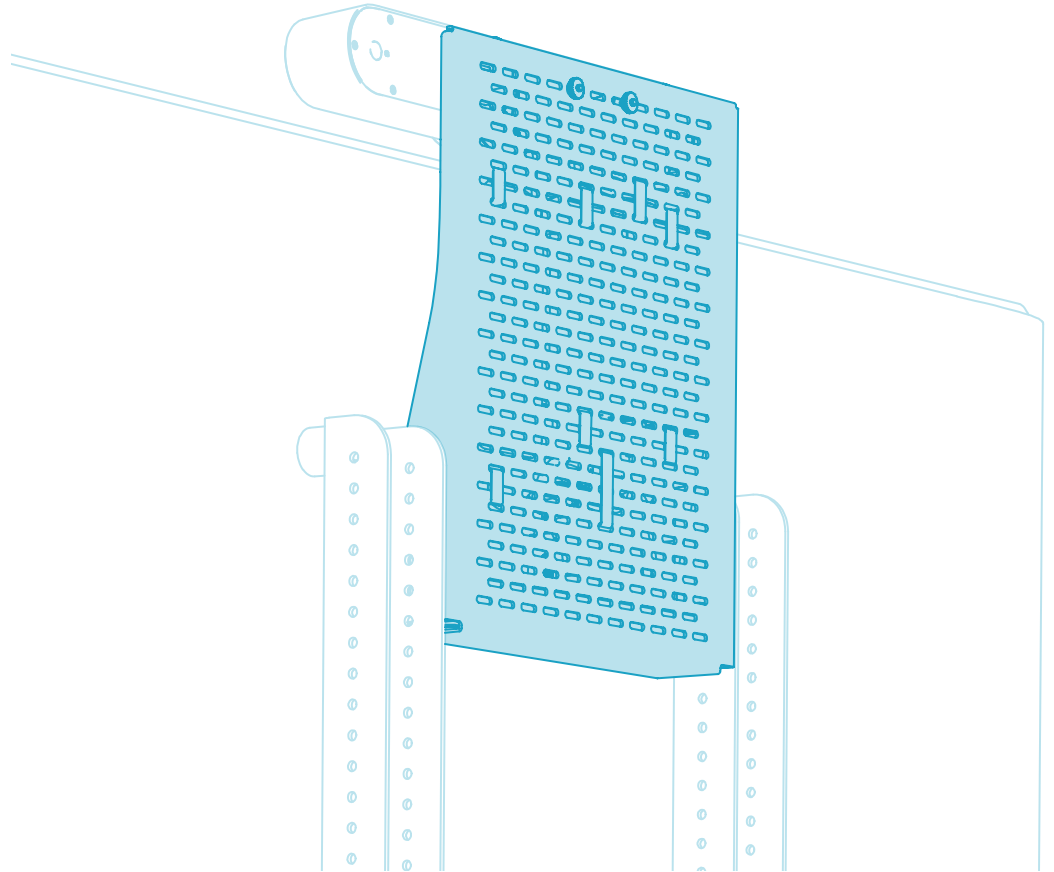


# H702 - Device Panel

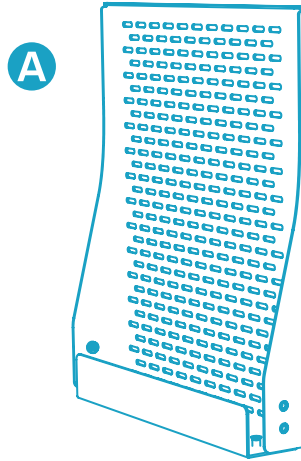
for Heckler AV Cart



Designed & made in Arizona  
Patented

## IN THE BOX

- A** 1 x Device Panel for Heckler AV Cart
- B** 1 x PTZ Camera Adapter
- C** 2 x Cart-mounting screws
- D** 2 x Cart-mounting thumb screws
- E** 4 x Device-mounting thumb screws
- F** 4 x Device-mounting thumb nuts
- G** 1 x PTZ camera-mounting screws
- H** 1 x PTZ camera-mounting key
- I** 1 x Cart-mounting assembly key
- J** 1 x Velcro for strapping devices. Two feet.



**C**



**D**



**E**



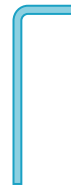
**F**



**G**



**H**



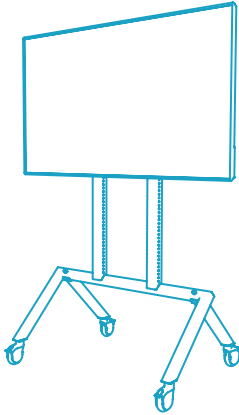
**I**



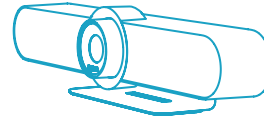
**J**



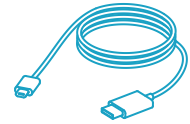
## COMPONENTS NEEDED (Not Included)



Heckler AV Cart



Camera, Conference  
Cam, or Appliance

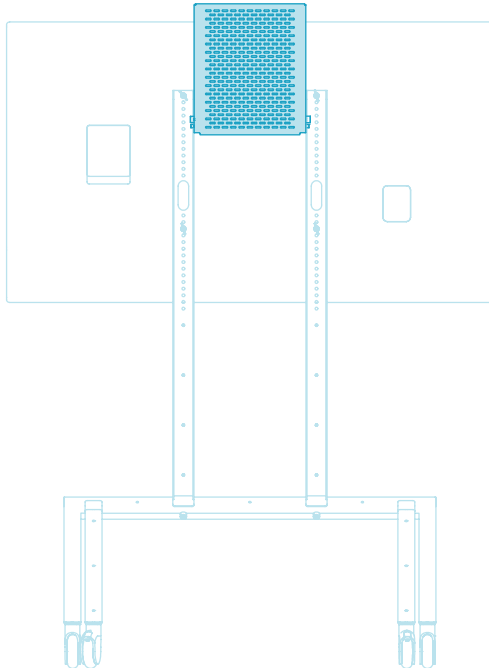


Device cables

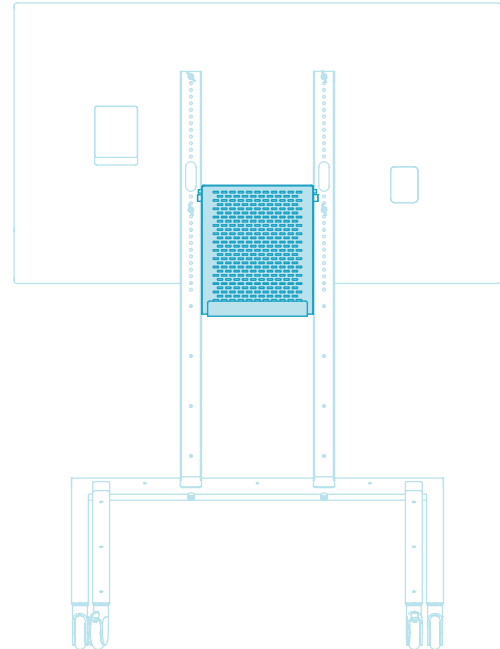
If you have any questions, please contact  
[service@hecklerdesign.com](mailto:service@hecklerdesign.com).

# STEP 1

Determine your ideal camera position.



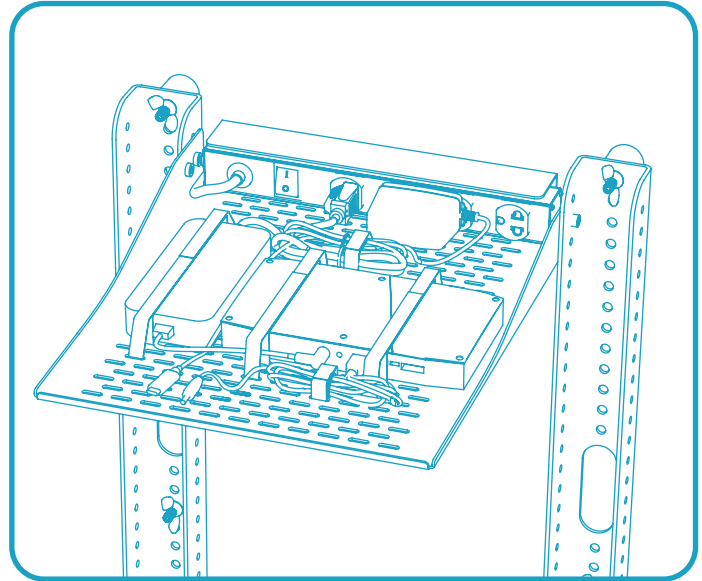
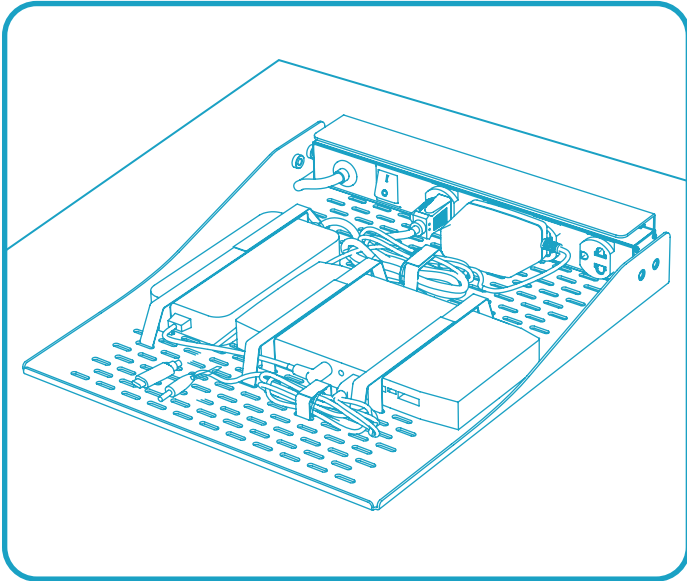
OR





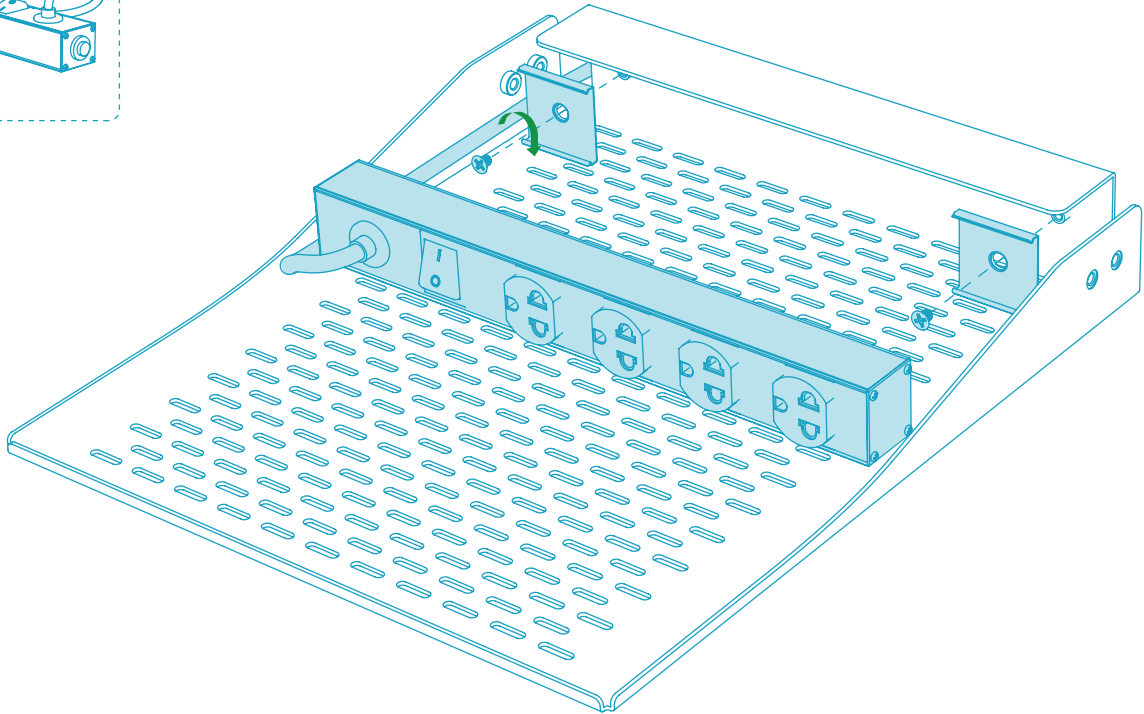
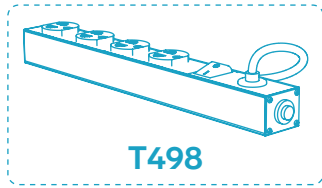
## TIP

You can pre-configure devices and wiring to Device Panel from a benchtop or configure in place on Heckler AV Cart.



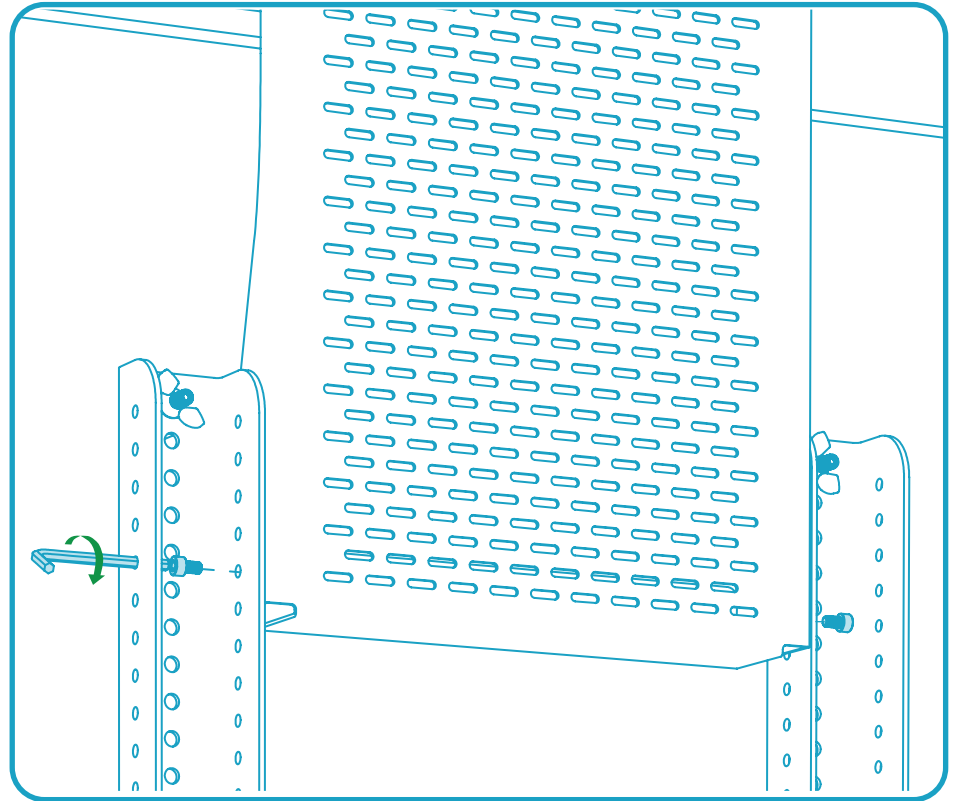
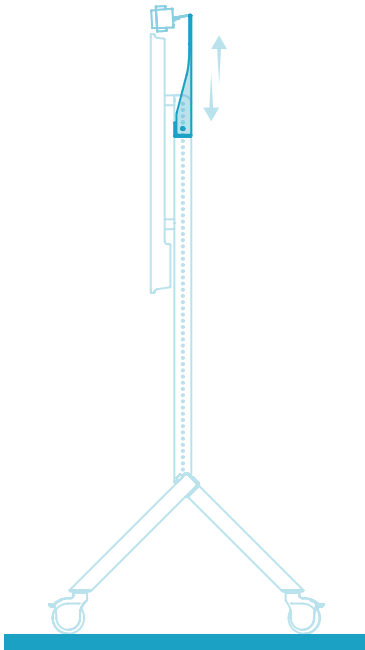
## OPTIONAL

Install Tripp-lite power strip (not included).



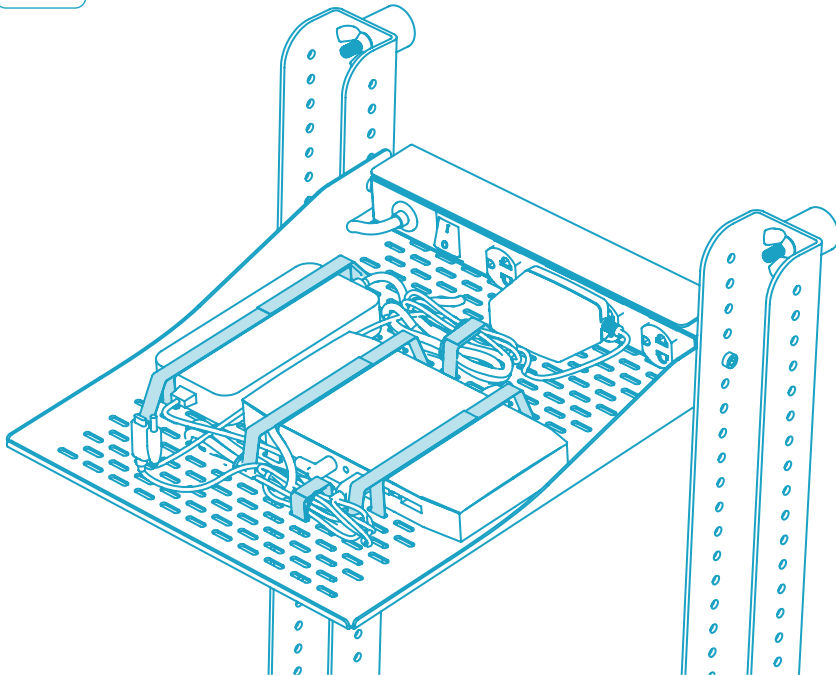
## STEP 3

Install Device Panel to Heckler AV Cart.

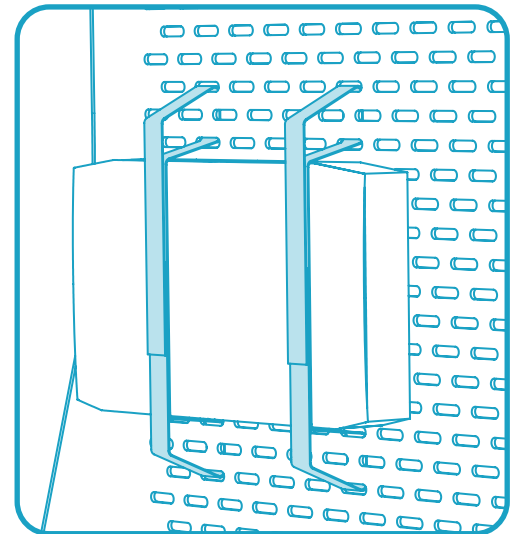


## STEP 4

Rotate Device Panel and configure devices

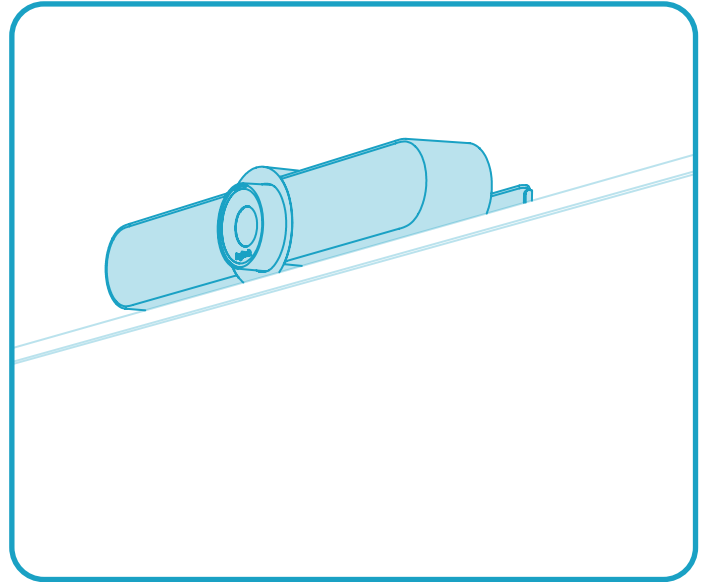
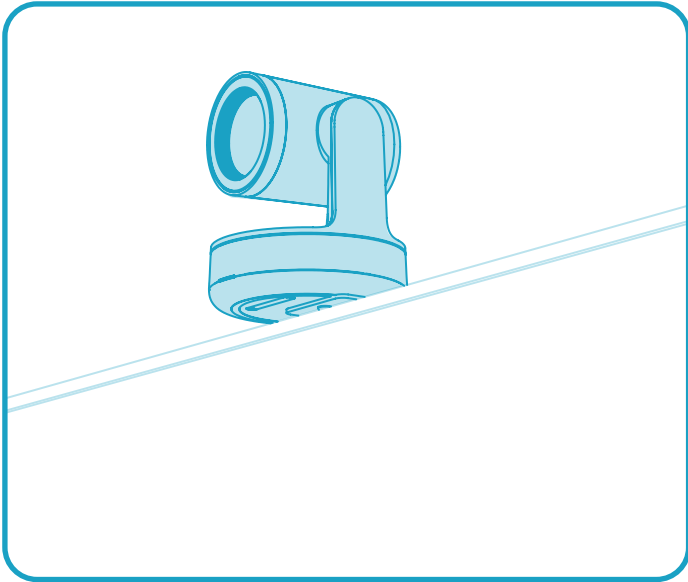


Use the supplied Velcro strap to fasten your devices and cabling to Device Panel.



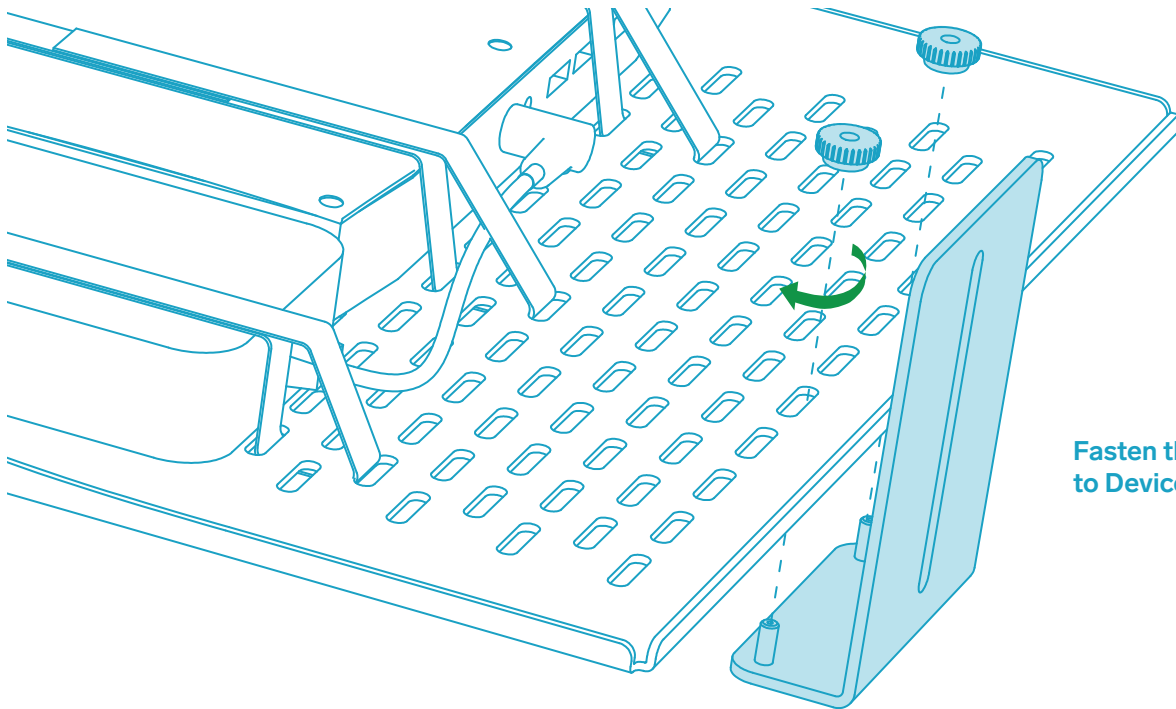
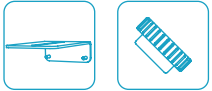
## STEP 5

Mounting a PTZ, go to Step 6.  
Mounting wall-mount-style  
devices, go to Step 8.



## STEP 6

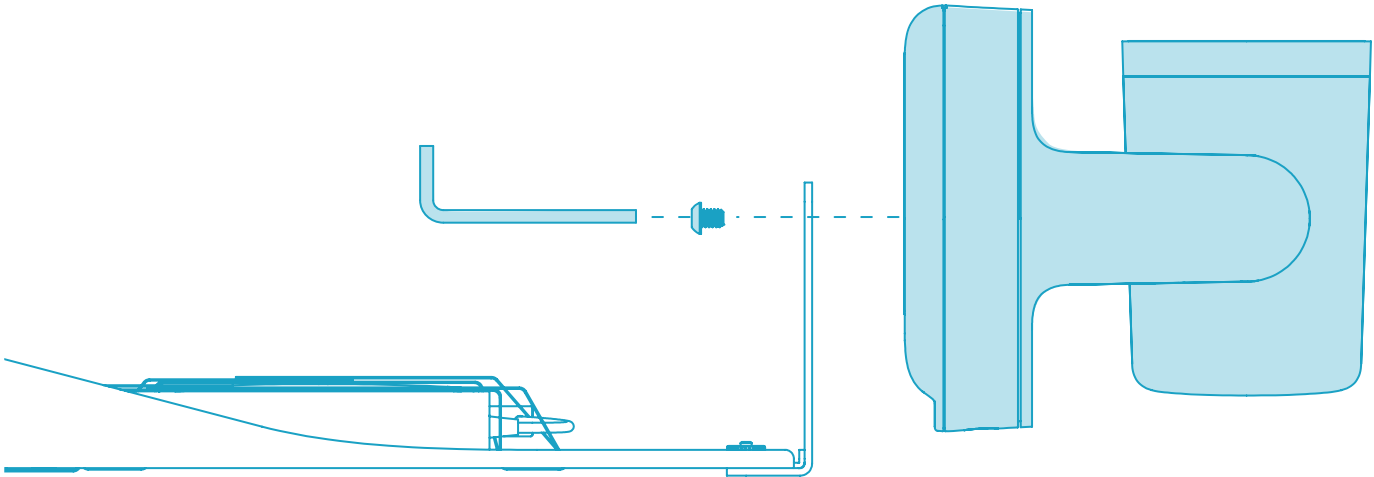
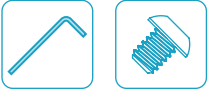
### Install PTZ Camera Adapter



**Fasten the PTZ Camera Adapter to Device Panel as shown.**

## STEP 7

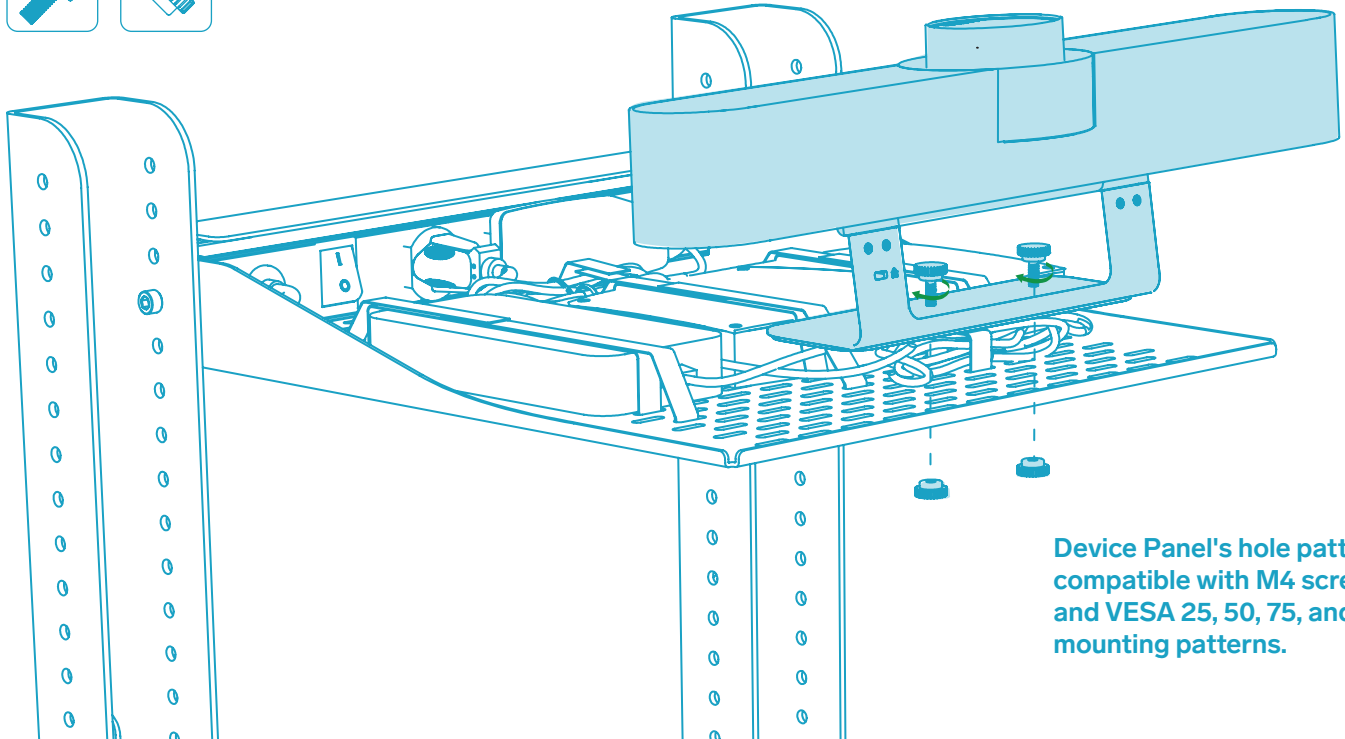
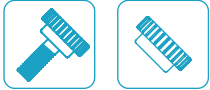
Install PTZ Camera.



Position your PTZ Camera and fasten in place as shown.

## STEP 8

Install devices directly to Device Panel.



Device Panel's hole pattern is compatible with M4 screws and VESA 25, 50, 75, and 100 mounting patterns.



## STEP 9

Fasten Device Panel to its vertical position using the thumbscrews as shown.

