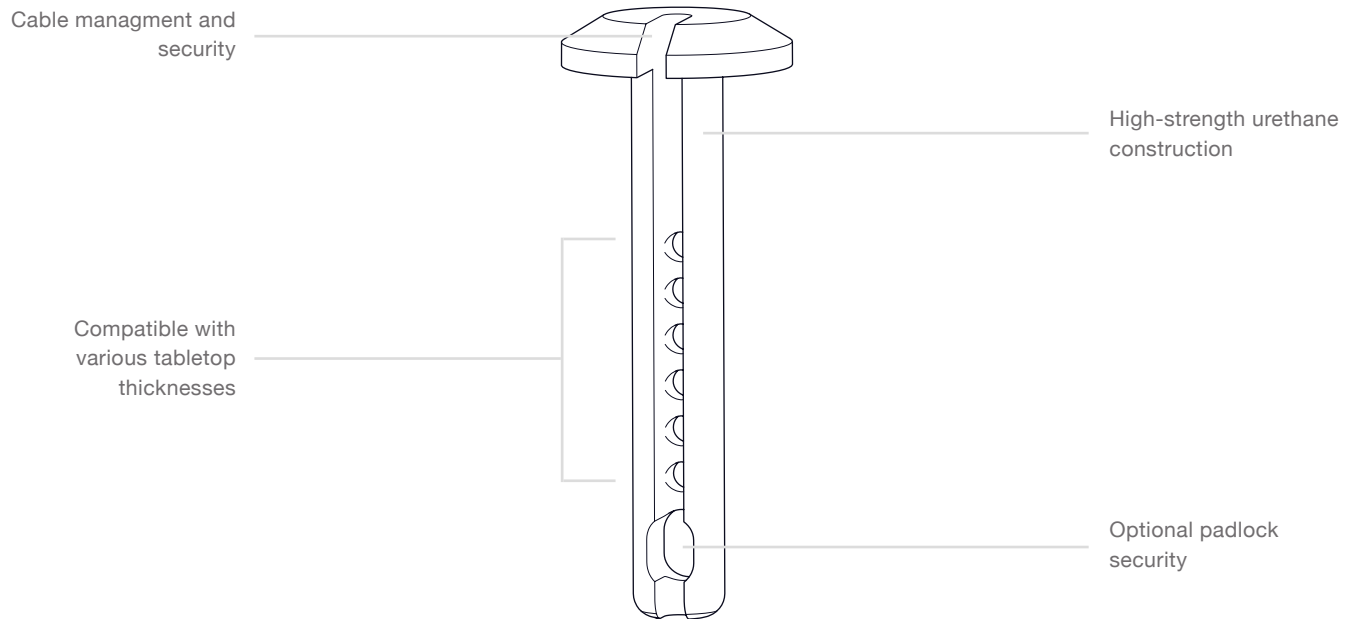


# PIVOT TACK

for WindFall Stands

Mount your WindFall Stand to the countertop with PivotTack for a clean, secure and functional mounting system. PivotTack channels your tablet's power cord up through the counter top, and can be secured with a 1/4" diameter padlock.





**Specifications**

<b>Price</b>	\$10	<b>Overall Height</b>	3.27	inches
<b>SKU</b>	T223	<b>Head Diameter</b>	1.25	inches
		<b>Shank Length</b>	3	inches
		<b>Shank Diameter</b>	0.5	pounds

**What's Included**

- PivotTack
- Cotter pin