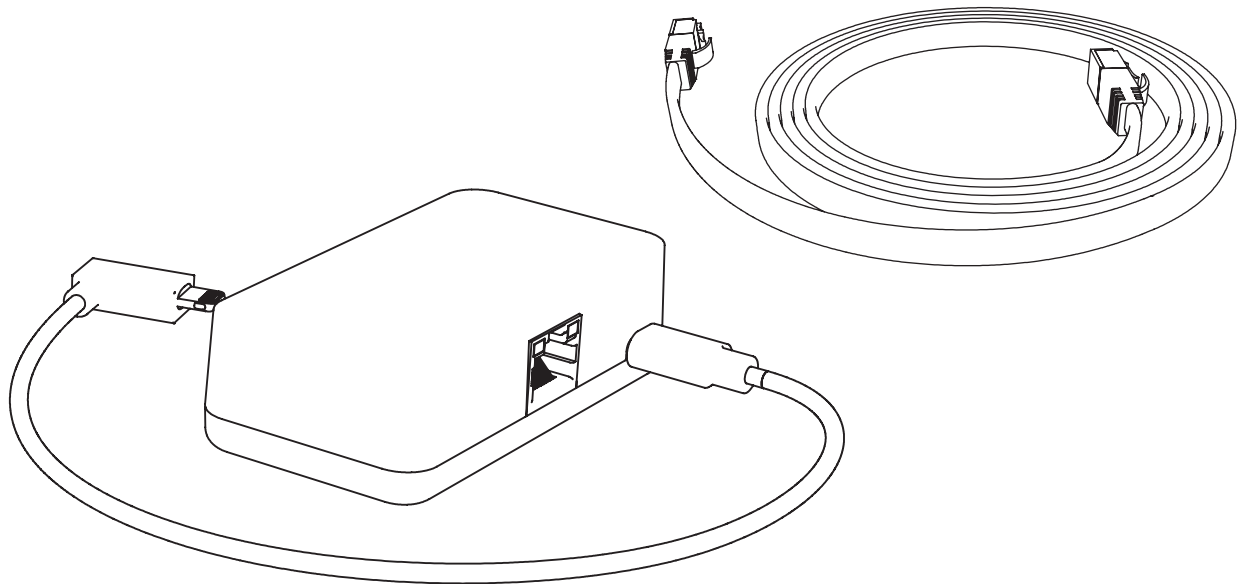


Gigabit Ethernet + Power Over Ethernet Upgrade Kit

for Zoom Rooms Console

Assembly & Installation

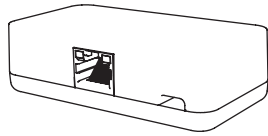


Compatible with

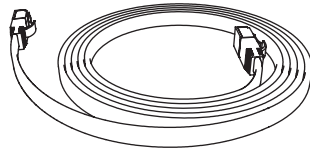
Zoom Room Console for iPad
Zoom Room Console for iPad mini

2-Year Warranty

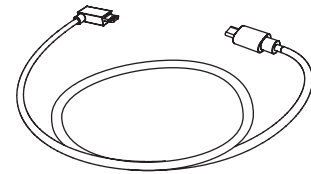
Heckler Design warrants your product to be free from defect in material and workmanship for a period of two years from the original date of purchase. Electronic components are warranted to be free from defect for a period of one year from the original date of purchase. If you discover a defect, please contact service@hecklerdesign.com. Heckler Design will repair, at our discretion, using new or refurbished components. If repair is not possible, Heckler Design will replace the item.



Redpark Gigabit + PoE Adapter for iPad



CAT cable



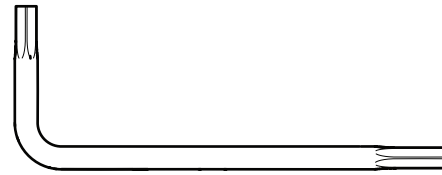
mini USB to Lightning cable

1:1


1x



F160



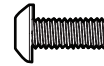
Torx assembly tool

 Keep your special assembly tool in a safe place. To purchase a replacement, please contact service@hecklerdesign.com.

4x

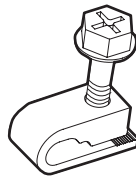


F631

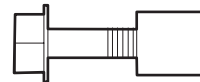
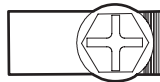


Assembly screws

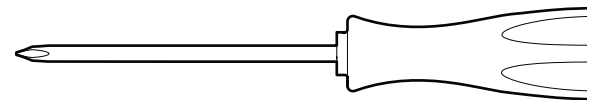
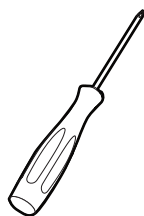
1x



Fxxx

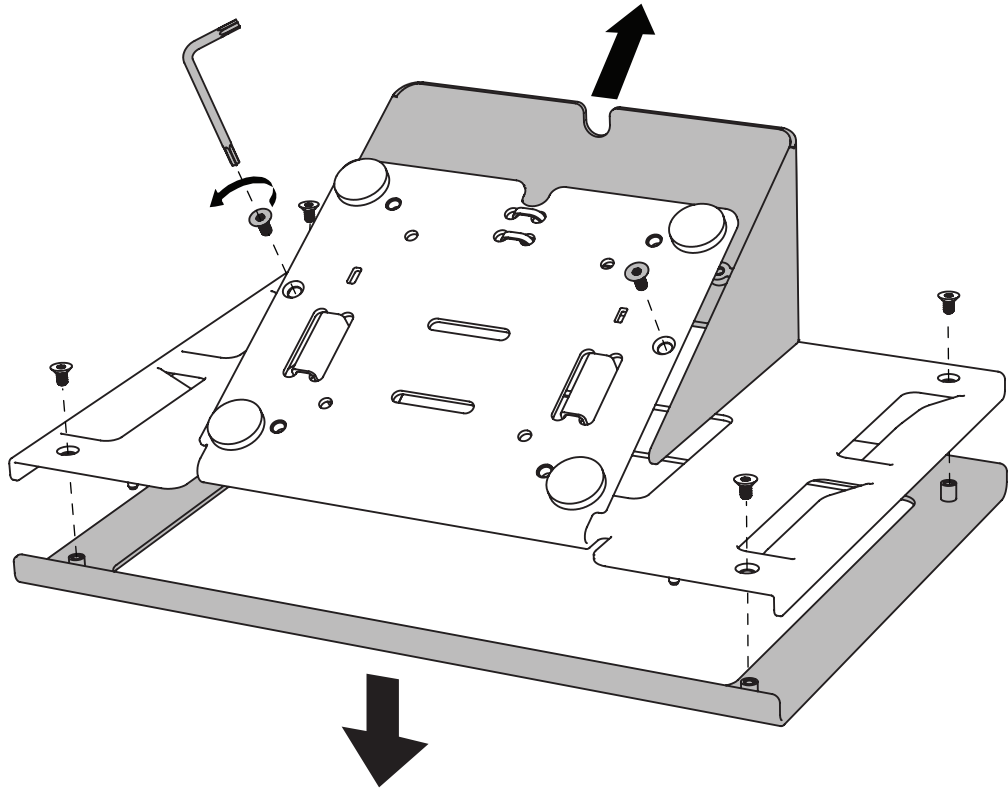


Cord anchor

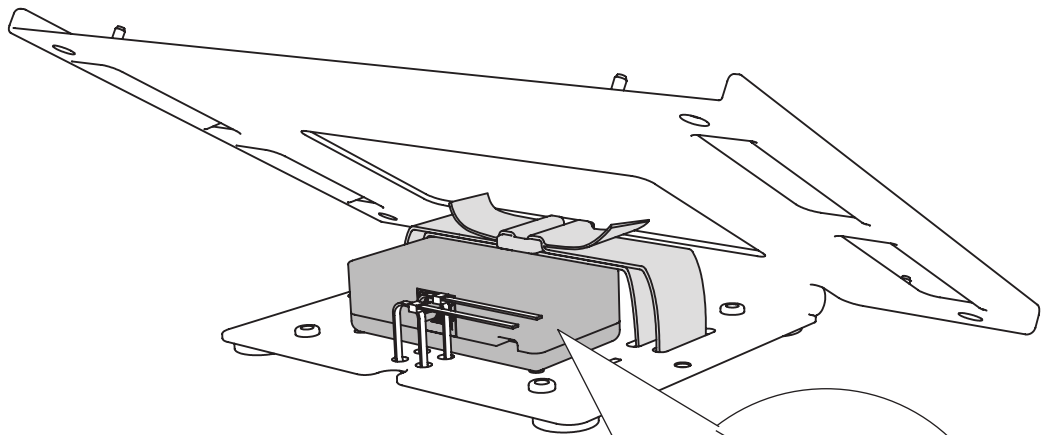
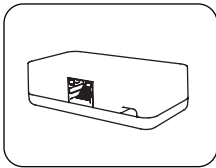


Phillips Screwdriver

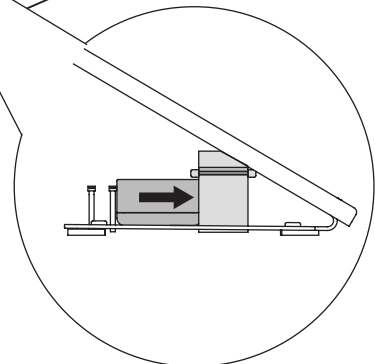
1 Remove back cover and front bezel



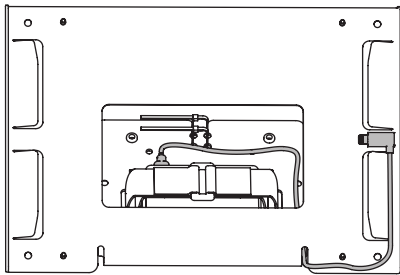
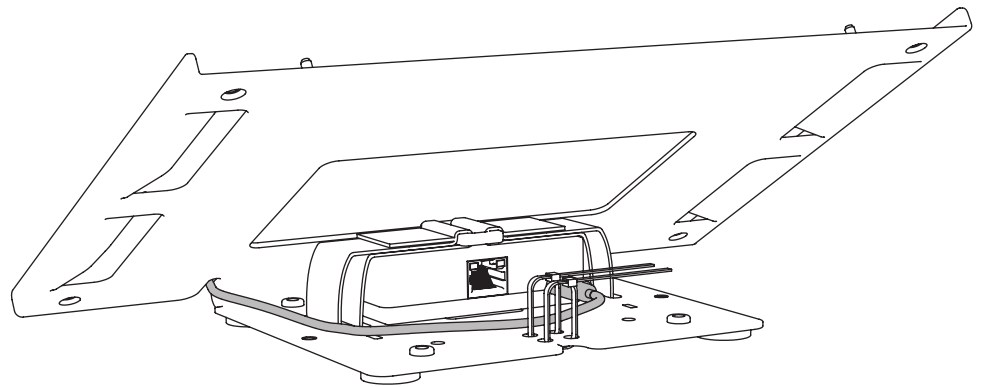
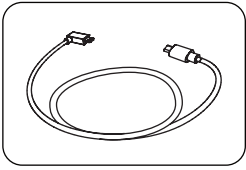
2 Velcro tie Redpark Gigabit + PoE Adapter for iPad



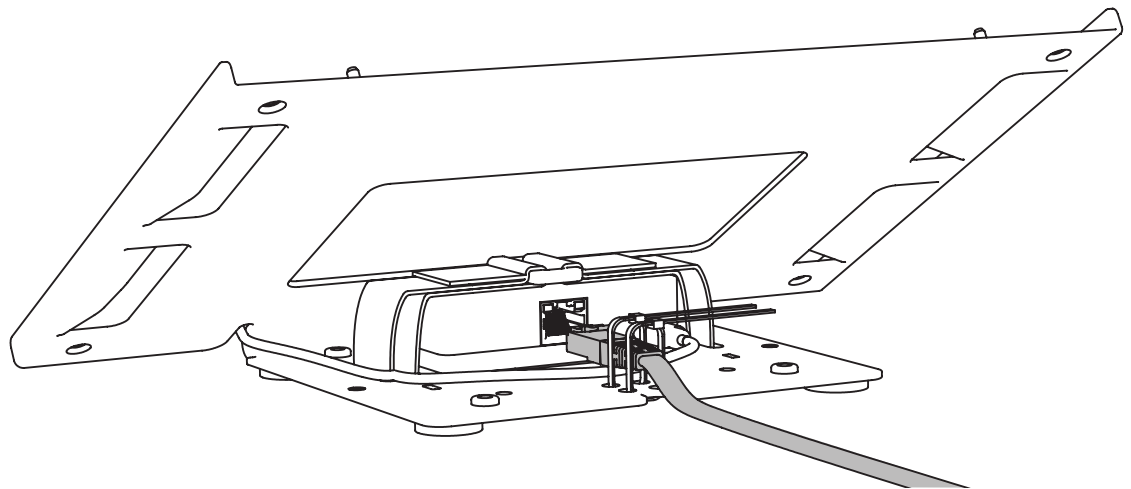
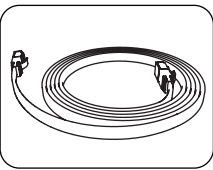
i Tighten velcro strap to secure PoE Adapter



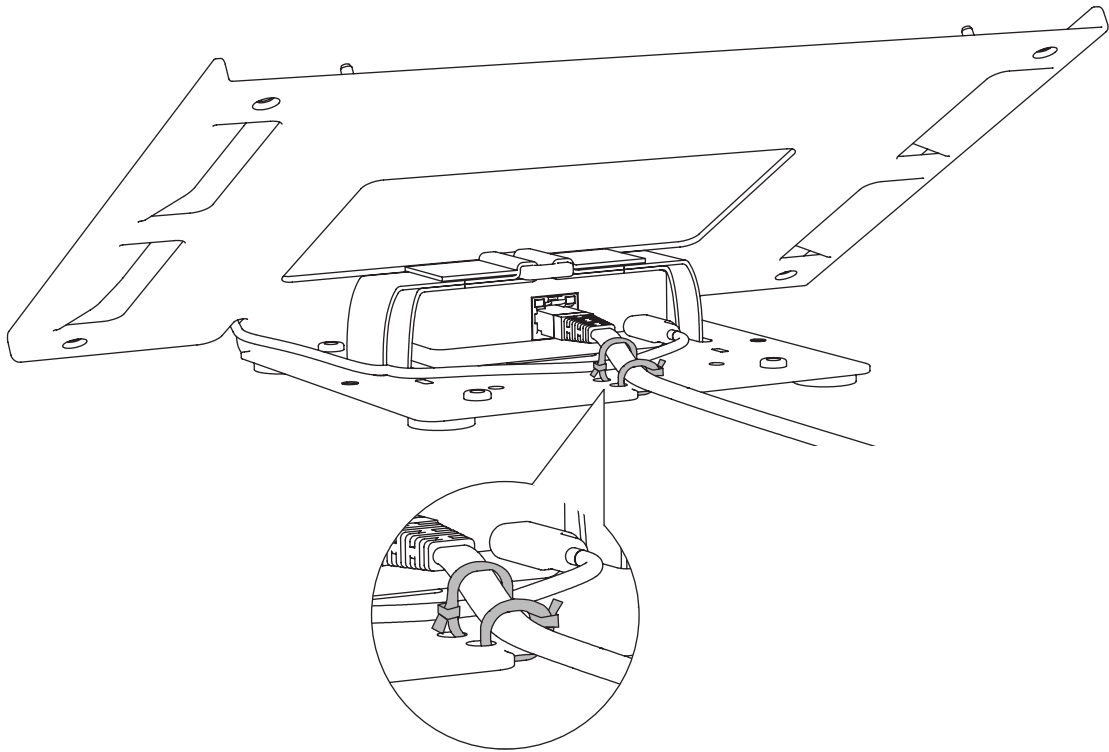
3 Plug in & route micro USB to Lightning cable



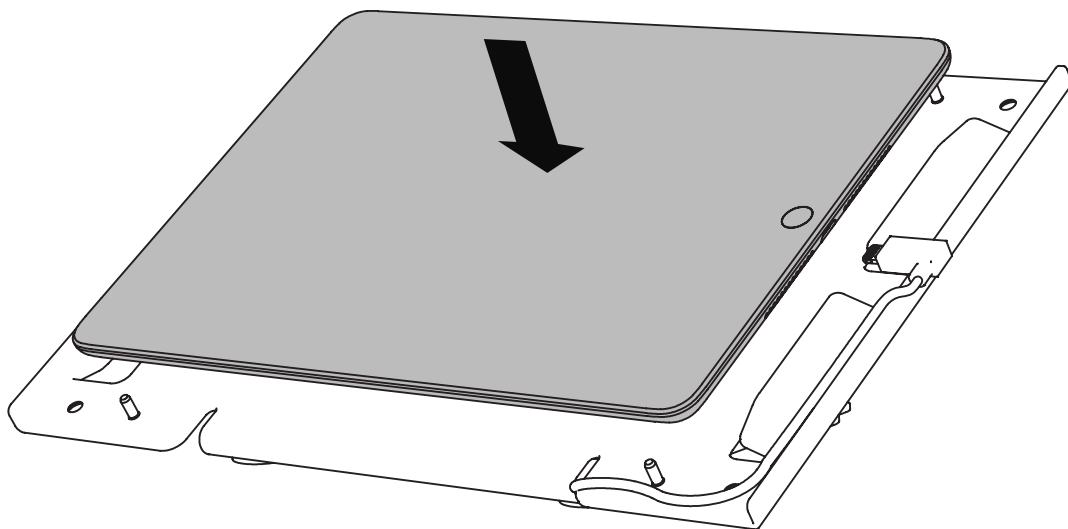
4 Plug in & Route CAT cable through zip ties



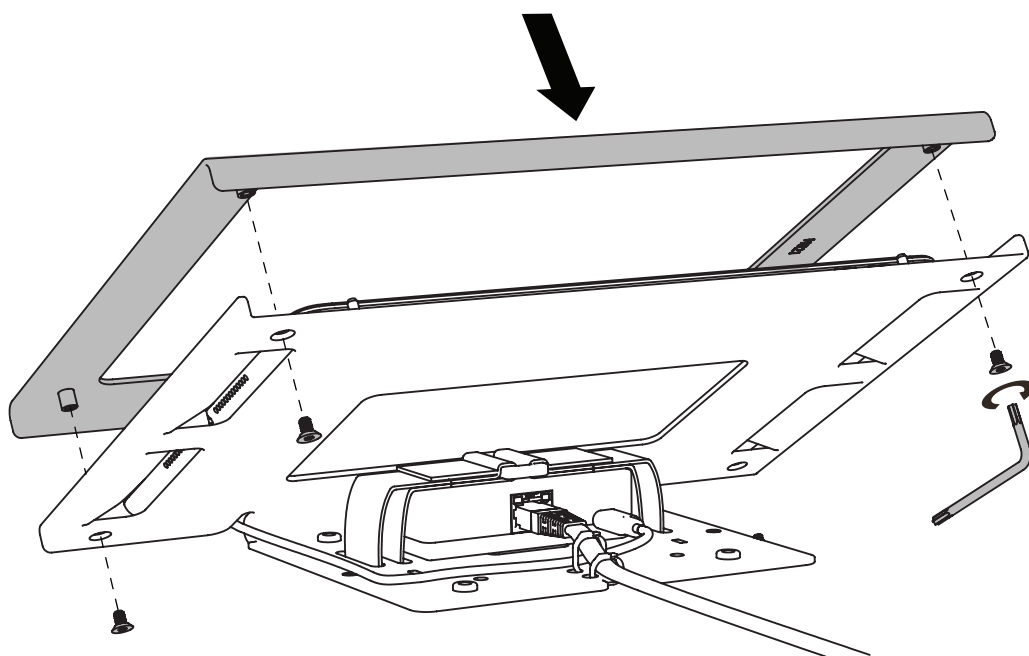
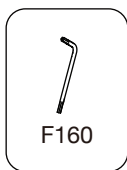
5 Tighten zip ties



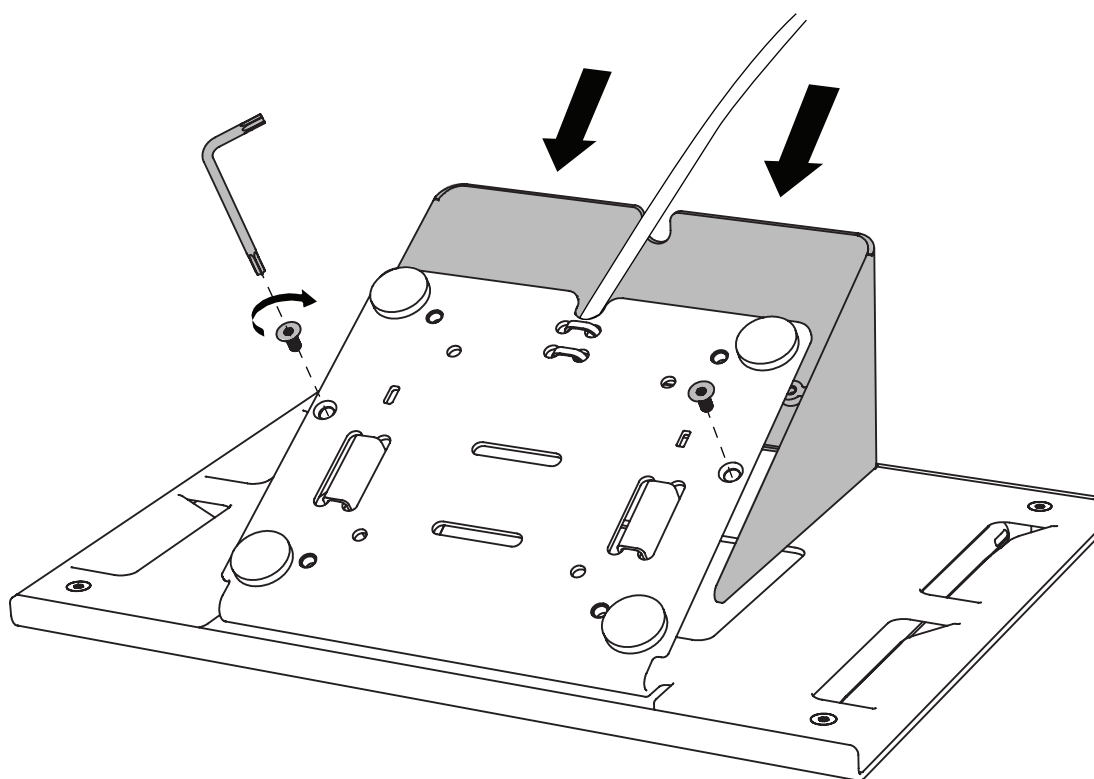
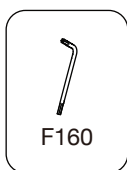
6 Install iPad and plug into power



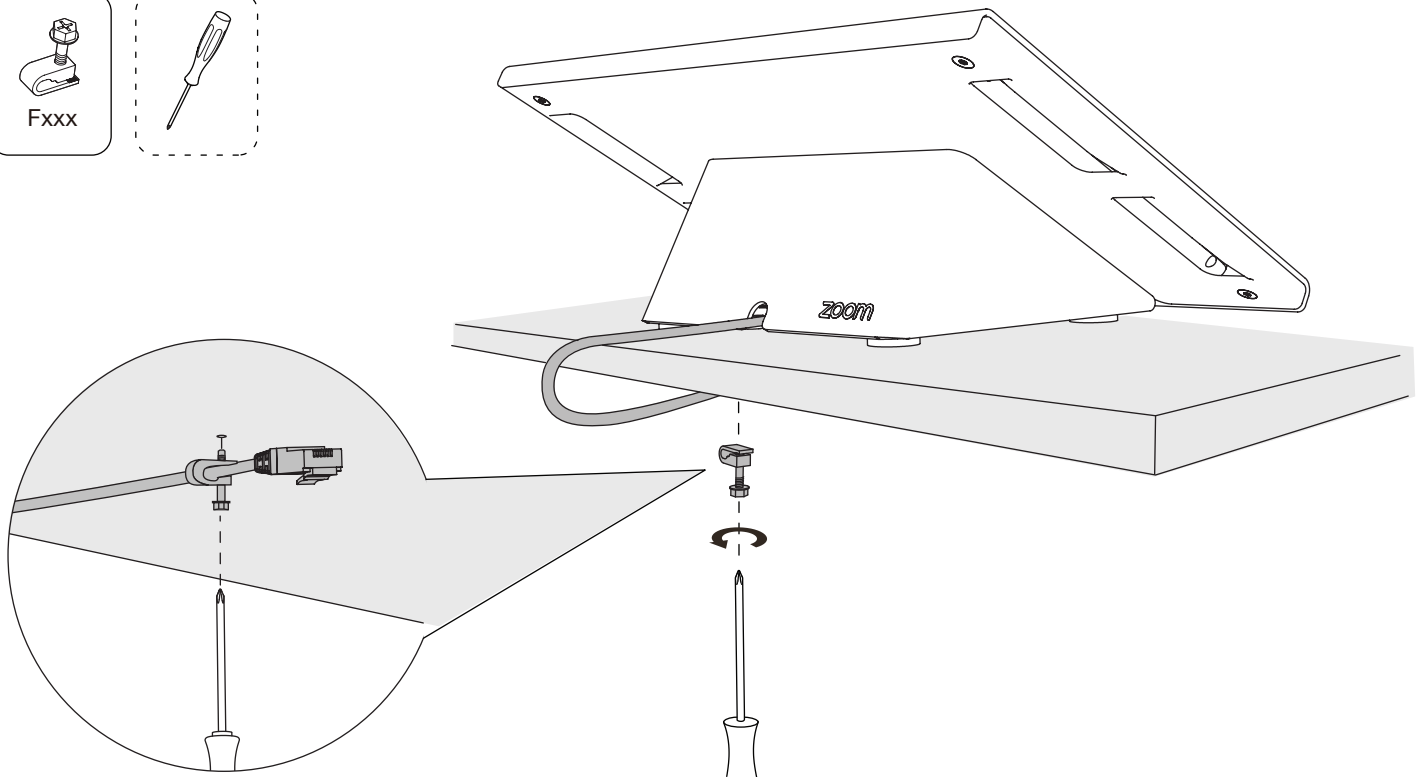
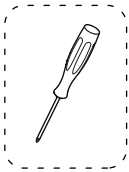
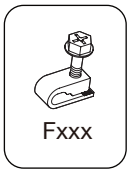
7 Reinstall front bezel



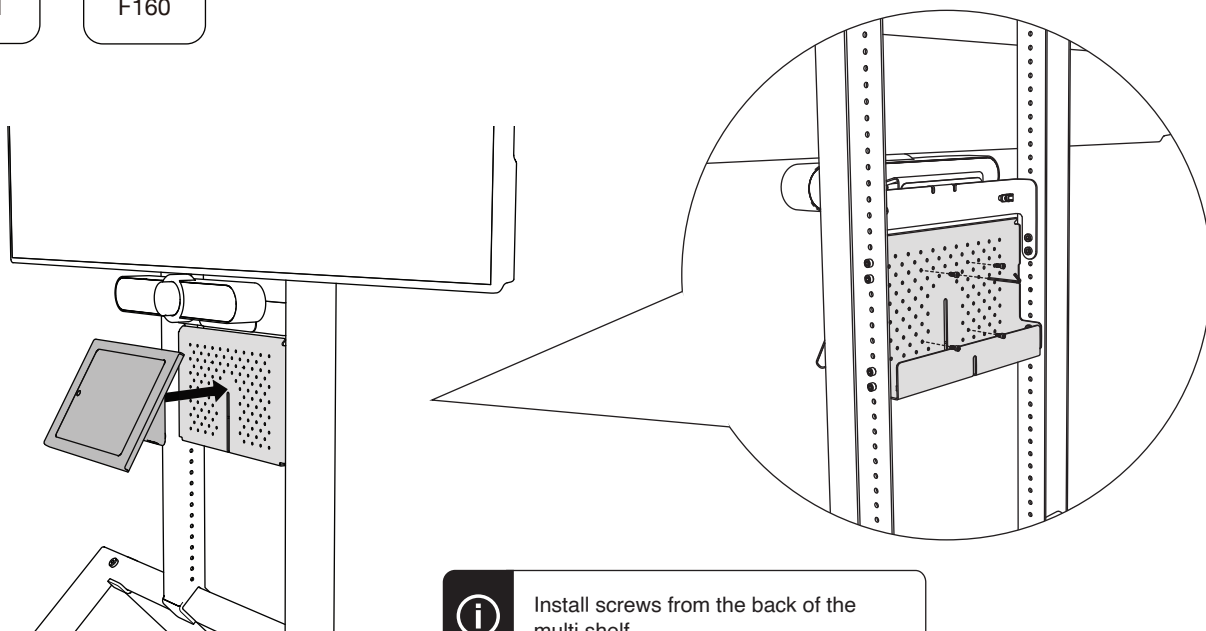
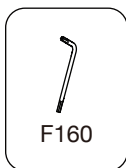
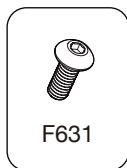
8 Reinstall back cover




Optional: Anchor cable under table



Optional: Install to Heckler AV Cart



 Install screws from the back of the multi shelf