

Heckler

Mobilize Dual Displays



Heckler Dual Display Stand
H1060

Heckler



Heckler



Heckler



*Shown with optional accessories

Heckler



*Shown with optional accessories

Heckler

Dramatically simplify the creation of dual-display video meeting systems and information displays anywhere within your enterprise with this Heckler Mobile Fleet stand. Mount dual 65-inch or dual 75-inch displays with VESA patterns from VESA 200 to VESA 800 - all while maintaining a safe, ADA-compliant work environment. Assembles in minutes without tools.

Features

Natively compatible with displays with mounting patterns from VESA 200 to VESA 800.

ADA-compliant when mounting up to dual 75-inch displays.

Neatly route and wrap cables and power cords with the included cord managers and cord-wrapping posts.

4-inch twin wheel, total-lock casters.

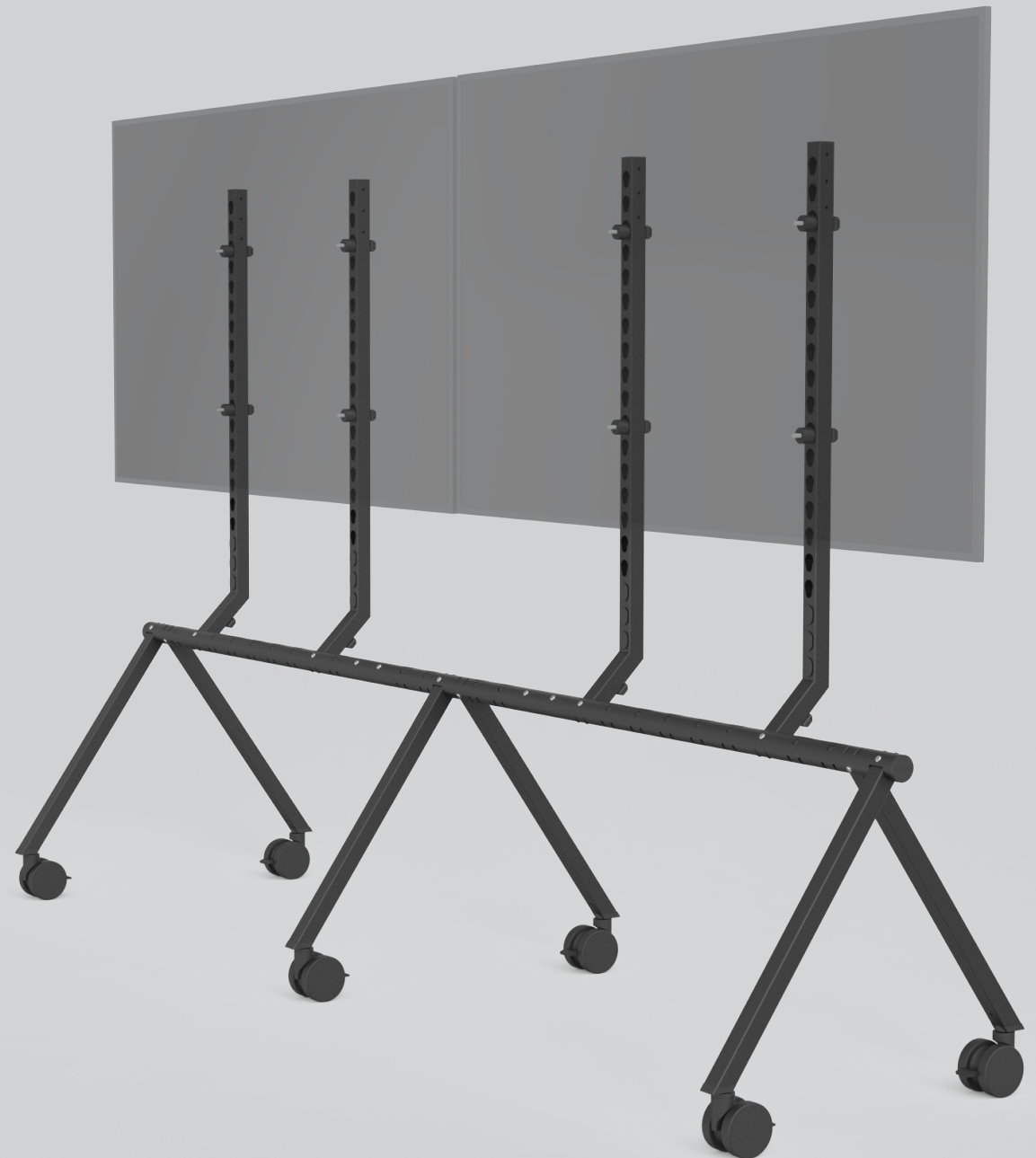
Patent-pending tool-free display-mounting system enables two-minute, tool-free assembly and disassembly.

Tool-free display mounting system. M8 and M6 mounting anchors are included.

Capable of positioning most 65-inch and 75-inch displays above the floor to enjoy eye-line camera mounting below the display.

Supports two displays. Each display can weigh up to 150 pounds.

Multiple stands nest compactly to maximize storage floor space efficiency.



H1060 Heckler Dual Display Stand

Heckler

Features

Packs out to an incredibly compact bundle for cost-efficient shipping.

Ships via small package carrier to any office or event site.

Ship up to 16 packaged units per standard-sized freight pallet.

TAA Compliant. Designed and manufactured in Phoenix, Arizona.

Includes bundling ring and straps for convenient load-outs.

Commercial-grade, heavy tubular steel construction.

Disassembles to long, straight parts to enable easy creation of load-out cases.



H1060 Heckler Dual Display Stand

Heckler

Specifications

SKU H1060-BK

Color Black

Product Dimension 116.7 x 71 x 31.8 inches (2965 x 1803 x 808mm)

Product Weight 73 lbs (33.1 kg)

Shipping Dimension 48 x 15.5 x 5 inches (1219 x 394 x 127mm)

Shipping Weight 83 lbs (37.7 kg)

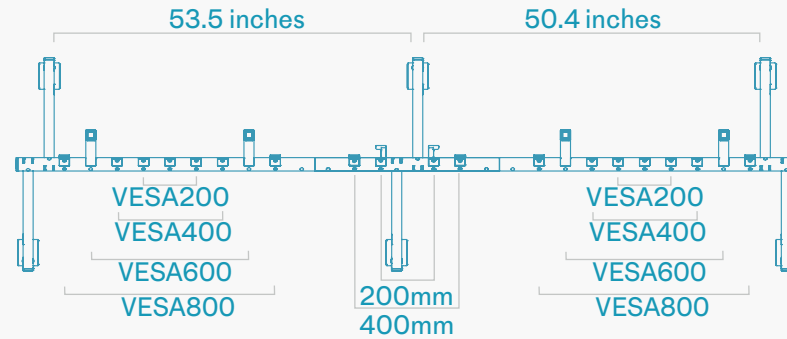
Warranty Limited lifetime

Country of Origin US

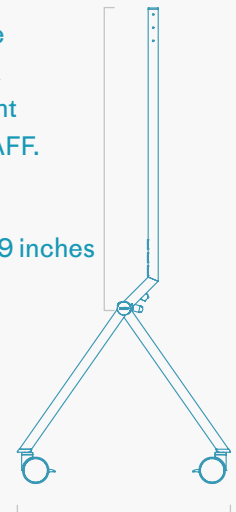
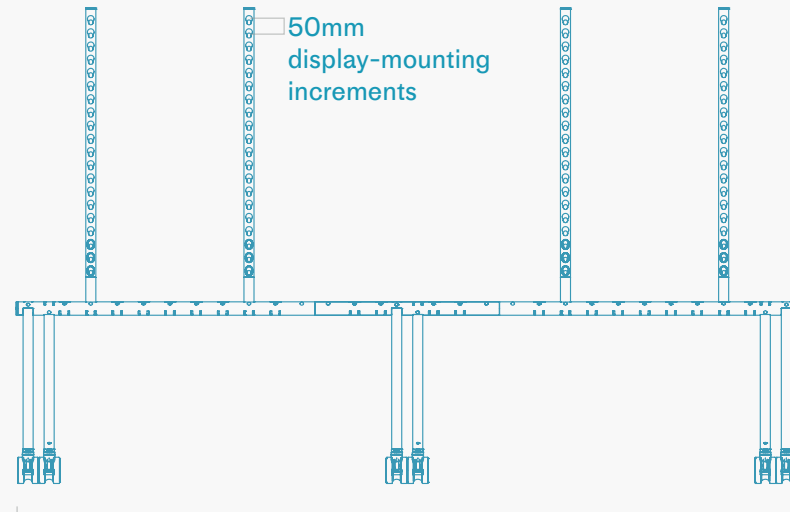
Material Powdercoated steel
ASA plastic
Urethane

In the Box Heckler Dual Display Stand structure and casters
M8 and M6 display-mounting anchors

Display Compatibility Designed for use with dual 65-inch or dual 75-inch displays. Each display can weigh up to 150 pounds.



VESA 300, VESA 500,
and VESA 700 displays are
compatible.



For more information, contact
Heckler or your favorite Heckler
Authorized Dealer.

hecklerdesign.com
sales@hecklerdesign.com
(844) 432-5930